



AT-SB2022

Wireless Stereo Disc Player System

User Manual

English

Safety precautions

Although this product was designed to be used safely, failing to use it correctly may result in an accident. To ensure safety, observe all warnings and cautions while using the product.

Important information

Warning

- To prevent fire or shock hazard, do not expose this apparatus to rain or moisture.
- Do not touch the moving parts.

Caution

- Do not expose this apparatus to drips or splashes.
- To avoid electric shock, do not open the cabinet.
- Refer servicing to qualified personnel only.
- Do not expose this apparatus to excessive heat such as sunshine, fire or the like.
- Do not subject this apparatus to strong impact.
- Do not place any objects filled with liquids, such as vases, on this apparatus.
- To prevent fire, do not place any naked flame sources (such as lighted candles) on this apparatus.
- Do not install this apparatus in a confined space such as a bookcase or similar unit.
- Install this apparatus only in the place where ventilation is good.

Cautions for rechargeable battery

The product is equipped with a rechargeable battery (lithium ion battery).

- If battery fluid gets into eyes, do not rub them. Rinse thoroughly with clean water such as tap water and consult a doctor immediately.
- If battery fluid leaks, do not touch fluid with bare hands. If fluid remains inside the product, it may cause malfunction. If battery fluid leaks, contact your local Audio-Technica dealer.
 - If fluid gets in your mouth, gargle thoroughly with clean water such as tap water and consult a doctor immediately.
 - If your skin or clothing comes in contact with fluid, immediately wash the affected skin or clothing with water. If you experience skin irritation, consult a doctor.

Safety precautions

- To avoid leakage, generation of heat or explosion:
 - Never heat, disassemble or modify the battery, nor dispose of it in a fire.
 - Do not attempt to pierce with a nail, hit with a hammer or step on the battery.
 - Do not drop the product or subject it to strong impact.
 - Do not get the battery wet.
- Do not use, leave or store the battery in the following places:
 - Area exposed to direct sunlight or high temperatures and humidity
 - Inside of a car under the blazing sun
 - Near heat sources such as heat registers
- Charge only with the included USB cable to avoid malfunction or fire.
- Danger of explosion if battery is incorrectly replaced. Replace only with the same type.
- When the product is disposed of, the built-in rechargeable battery needs to be discarded properly. Always consider the environmental issues and follow local regulations when disposing of batteries.
- A battery subjected to extremely low air pressure that may result in an explosion or the leakage of flammable liquid or gas.

For customers in the USA

FCC Notice

Warning

This device complies with Part 15 of the FCC Rules. Operation is subject to the following two conditions: (1) This device may not cause harmful interference, and (2) this device must accept any interference received, including interference that may cause undesired operation.

Caution

You are cautioned that any changes or modifications not expressly approved in this manual could void your authority to operate this equipment.

Note: This equipment has been tested and found to comply with the limits for a Class B digital device, pursuant to part 15 of the FCC Rules. These limits are designed to provide reasonable protection against harmful interference in a residential installation. This equipment generates, uses and can radiate radio frequency energy and, if not installed and used in accordance with the instructions, may cause harmful interference to radio communications. However, there is no guarantee that interference will not occur in a particular installation. If this equipment does cause harmful interference to radio or television reception, which can be determined by turning the equipment off and on, the user is encouraged to try to correct the interference by one or more of the following measures:

- Reorient or relocate the receiving antenna.
- Increase the separation between the equipment and receiver.
- Connect the equipment into an outlet on a circuit different from that to which the receiver is connected.
- Consult the dealer or an experienced radio/TV technician for help.

This transmitter must not be co-located or operated in conjunction with any other antenna or transmitter used in other systems.

Safety precautions

RF Exposure Information

FCC RF Exposure requirements: The highest SAR value reported under this standard during product certification for use next to the head with the minimum separation distance of 0 mm is 0.05 W/Kg.

This transmitter must not be collocated or operating in conjunction with any other antenna or transmitter.

This EUT is compliance with SAR for general population/uncontrolled exposure limits in IC RSS-102 and had been tested in accordance with the measurement methods and procedures specified in IEEE 1528 and IEC 62209. This equipment should be installed and operated with minimum distance 0 mm between the radiator and your body. This device and its antenna(s) must not be co-located or operating in conjunction with any other antenna or transmitter.

The ISED SAR value is 0.05 W/Kg.

Contact

Responsible Company: Audio-Technica U.S., Inc.

Address: 1221 Commerce Drive, Stow, Ohio 44224, USA

Tel: 330-686-2600

For customers in Canada

ISED statement

CAN ICES-003 (B)/NMB-003(B)

This device contains licence-exempt transmitter(s)/receiver(s) that comply with Innovation, Science and Economic Development Canada's licence-exempt RSS(s). Operation is subject to the following two conditions:

(1) This device may not cause interference.

(2) This device must accept any interference, including interference that may cause undesired operation of the device.

This device complies with RSS-102 radiation exposure limits set forth for an uncontrolled environment.

This equipment should be installed and operated with minimum distance of 20cm between the radiator & your body.

Notes on use

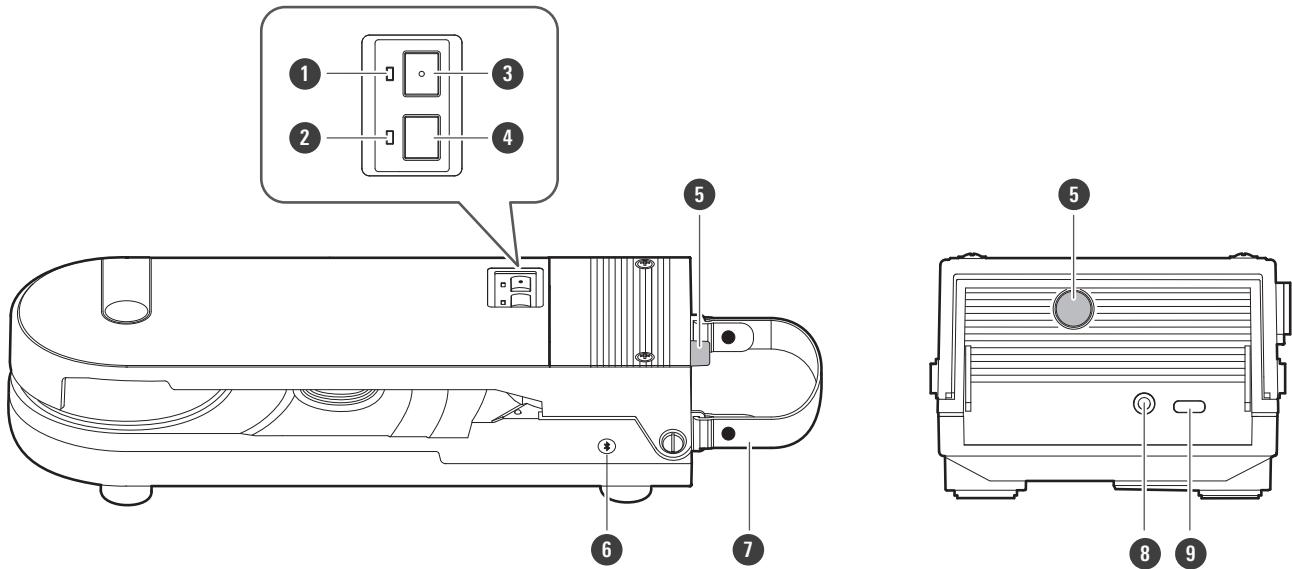
- Be sure to read the connected device's user manual before use.
- Minimize the volume on your device before connecting the product.
- Do not subject the product to strong impact.
- Do not store the product in direct sunlight, near heating devices, or in hot, humid, or dusty places. Additionally, do not allow the product to get wet.
- The product should be positioned on a flat, level surface and not installed vertically, etc.
- Do not touch the record or attempt to move the product when in use.
- When not in use, remove the record and store the 45 RPM adapter and tonearm under the cover. Also, attach the provided protector to the cartridge.
- When carrying the product, hold the carrying handle firmly and do not grasp the cover.
- Do not touch the stylus of the cartridge with your finger.
- Do not allow the cartridge's stylus to bump against the platter or the edge of the record.
- With long-term use, the product may become discolored due to ultraviolet light (especially direct sunlight) and wear.
- Make sure to hold the plug when connecting and disconnecting the USB charging cable. The USB charging cable may become severed or an accident may occur if you pull on the cable itself.
- When in use, do not attempt to connect or disconnect the USB charging cable.
- When you are not using the USB charging cable, disconnect it from the product.
- If you use the product near an electronic device or transmitter (such as a mobile phone), unwanted noise may be heard. In this case, move the product away from the electronic device or transmitter.
- If you use the product near a TV or radio antenna, noise may be seen or heard in the television or radio signal. In this case, move the product away from the TV or radio antenna.
- Ensure that the plug is inserted all the way to the base.
- To protect the built-in rechargeable battery, charge it at least once every 6 months. If too much time passes between charges, the life of the rechargeable battery may be reduced, or the rechargeable battery may no longer be able to be charged.
- Charge the product in a well-ventilated place (10 to 35°C (50 to 95°F)) away from direct sunlight. Otherwise, the battery may deteriorate, possibly resulting in shorter periods of continuous use or failure to charge.
- If the battery runs out soon after charging the product, the rechargeable battery may have reached the end of its service life. If this is the case, the rechargeable battery will need to be replaced. (Battery replacement must be performed by a professional in some countries and regions.)
- This product can be used only in the countries where certified or where it complies with the Radio Law of the country in question. It cannot be used in countries other than those in which it is sold.

For a more comfortable Bluetooth communication experience

The effective communication range of this product varies depending on obstructions and radio wave conditions. For a more enjoyable experience, please use the product as close as possible to the Bluetooth device. To minimize noise and sound disruptions, avoid placing your body or other obstacles between the product's antenna and the Bluetooth device.

Part names and functions

Main unit



1 Power supply indicator lamp

Lights or flashes in white when the power turns on.

2 Speed indicator lamp

Turns off when the platter speed is 33-1/3 RPM and lights in white when 45 RPM.

3 Power supply button

Turns power on and off.

4 Platter speed button

Select the platter speed (33-1/3 or 45 RPM).

5 Tonearm fixing screw

6 Wireless function button

Used to connect the product with Bluetooth devices.

7 Carrying handle

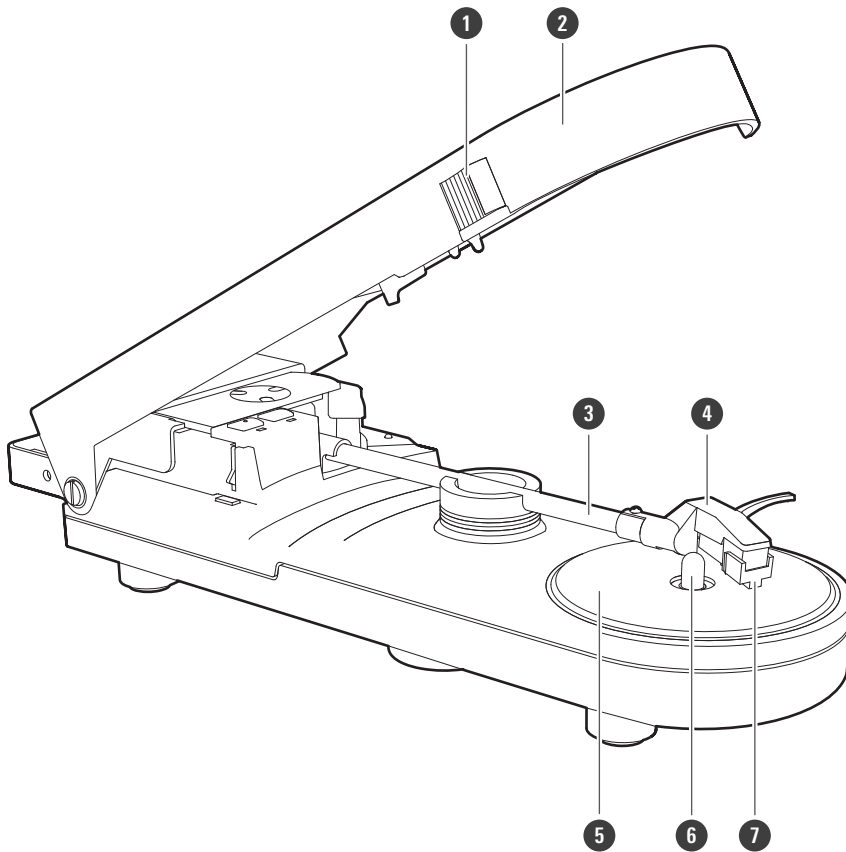
8 Stereo line output terminal

Connect the RCA audio cable.

9 Charging terminal

Connect the USB charging cable.

Main unit (with cover open)



1 Open button

Slide to open the cover.

2 Cover

3 Tonearm

4 Headshell and cartridge

The cartridge is attached to the headshell.

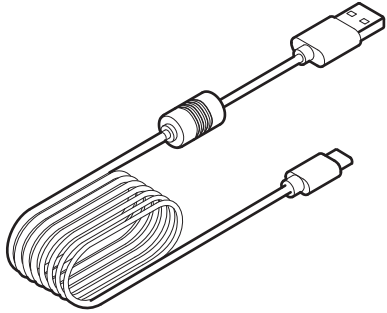
5 Platter

6 Spindle

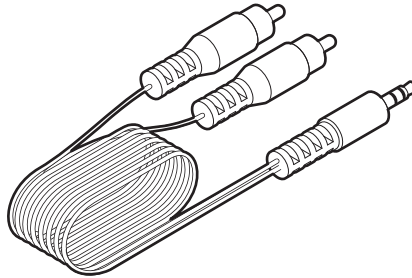
7 Protector

Accessories

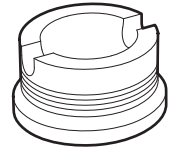
1



2



3

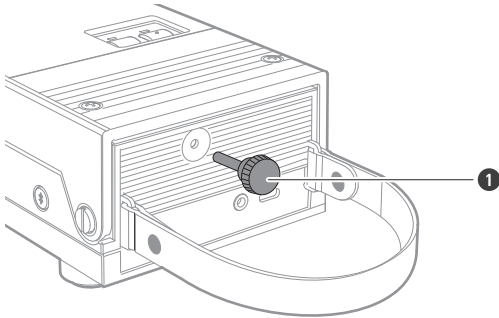


- 1 USB charging cable (Approx. 1.5 m (4.9'), USB Type-A / USB Type-C™)
- 2 RCA audio cable (Approx. 1.2 m (3.9'))
- 3 45 RPM adapter

Preparation for use

Removing the tonearm fixing screw

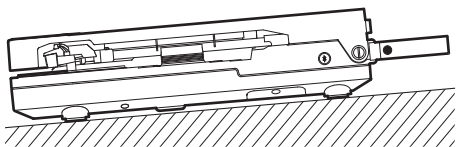
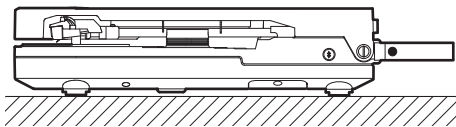
- When purchased, the product includes a screw for fixing the tonearm. Remove the fixing screw before using the product.
- Safely store the removed screw and reinstall it when transporting the product for repairs in the event of a malfunction, etc.



1 Tonearm fixing screw

Setting up the turntable

- Position the product on a level surface. Do not attempt to use it in a vertical position, etc.
- To avoid the effects of vibrations and acoustic pressure, do not mount the product next to such items as speakers.
- The product may pick up radio static if placed next to a radio. Therefore, try to keep the product away from radios.
- If the product is near equipment (cell phone, etc.) that emits strong radio waves, noise may occur.



Charging

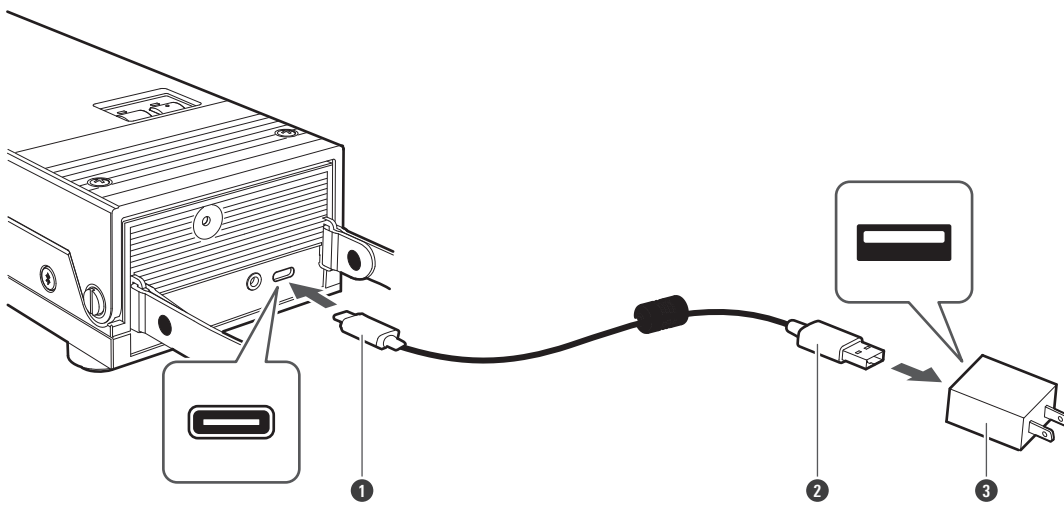
- Fully charge the battery when using for the first time.

Preparation for use

- When the rechargeable battery is running low, the color of the power supply indicator lamp will change to red. Charge the battery as soon as possible.
- It takes about 12 hours maximum to charge the battery fully. (This time may vary depending on usage conditions.)
- Charge the product in a well-ventilated place (10 to 35°C (50 to 95°F)) away from direct sunlight. Otherwise, the battery may deteriorate, possibly resulting in shorter periods of continuous use or may fail to charge.

1 Connect the included USB cable (USB Type-C side) to the product's charging terminal.

- The included USB cable is designed for exclusive use with the product. Do not use any other USB cable.
- When inserting the USB cable into the USB power adapter or charging terminal, insert it directly (horizontally).



- ① USB Type-C
- ② USB Type-A
- ③ USB power adapter (sold separately)

2 Connect the included USB cable to a commercially sold USB power adapter and plug it into an outlet to start charging.

- While charging, the power supply indicator lamp lights/flashes as follows. (It may take several seconds for the power supply indicator lamp to light.)

Power supply indicator lamp	Status
No change (white)	Charging / Charging complete (power ON)
Flashing red ^[1]	Charging (power OFF)
Off	Charging complete (power OFF)
Flashing red quickly	Charging error

[1] To prevent deterioration of the battery, if the remaining battery level is above the specified value, the indicator lamp flashes red twice and turns off, and charging is not performed.

3 When charging is complete, disconnect the USB power adapter from the outlet.

Preparation for use

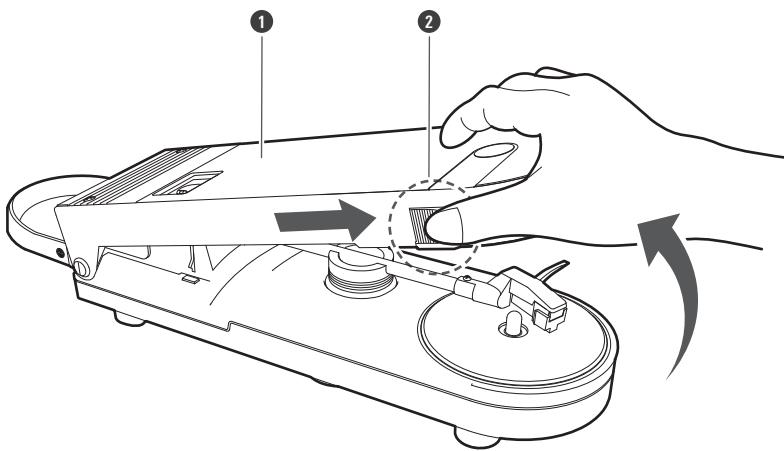
4 Disconnect the USB cable from the product's charging terminal.



- When charging, make sure to use the included USB cable. The product may not charge with cables other than the included USB cable.

Placing a record

1 Slide the open button forward and open the cover.

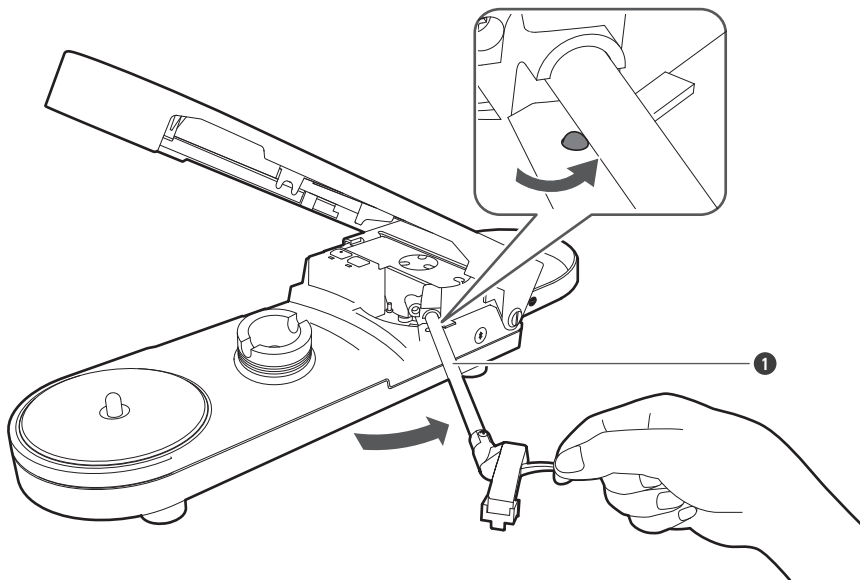


- ① Cover
- ② Open button

2 Pull out the tonearm until a click is heard.

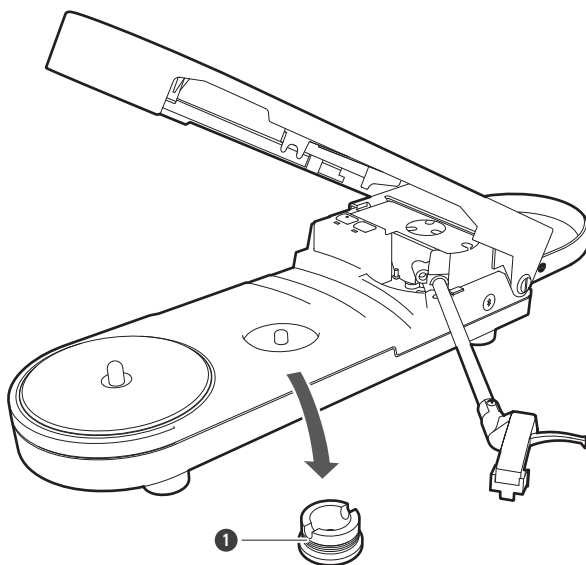
- Do this while the power is off. Turning the power on before moving the tonearm will cause the platter to start rotating.
- Be careful not to damage the cartridge's stylus tip, the platter, or the record.

Preparation for use



1 Tonearm

3 Remove the 45 RPM adapter.

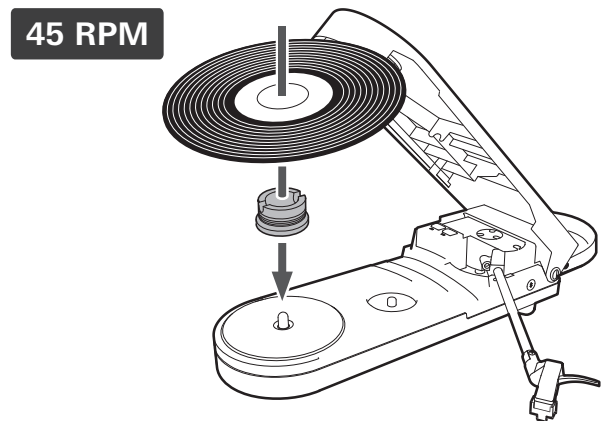
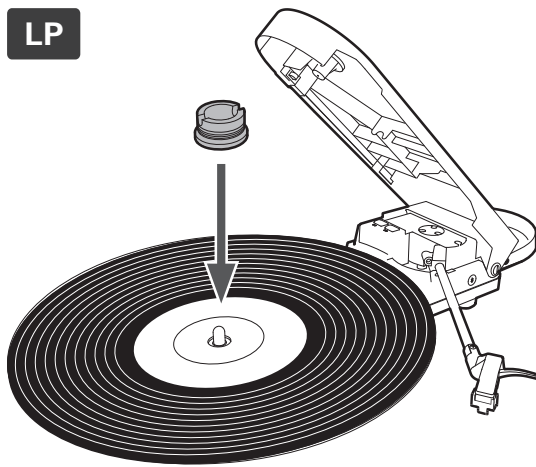


1 45 RPM adapter

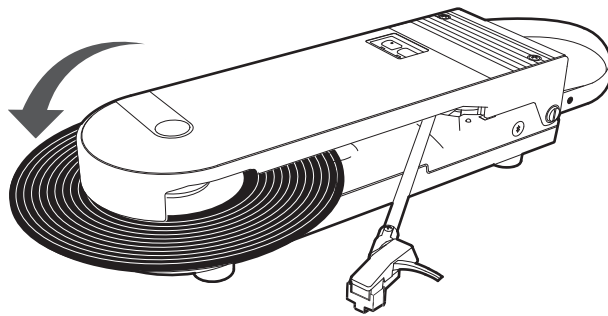
4 Place the record on the platter so that the center hole aligns with the spindle.

- Place the 45 RPM adapter above the record when playing LP records.
- Place the 45 RPM adapter below the record when playing 45 RPM records.

Preparation for use



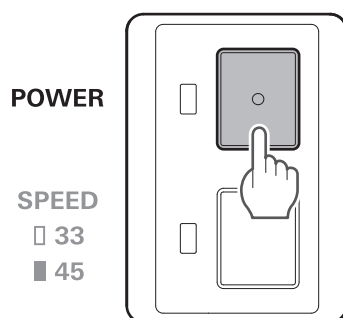
5 Close the cover.



Power supply ON/OFF

Turning on the product

1 Press the power supply button.



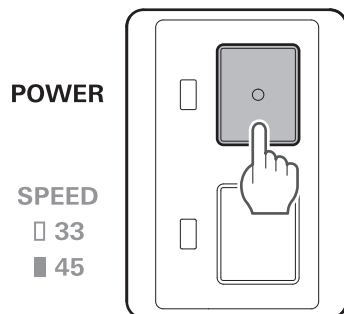
Preparation for use

» The power turns on and the power supply indicator lamp lights/flashes as follows:

Power supply indicator lamp	Status
Lights in white	Power ON (RCA audio cable connected)
Flashing white	Power ON (RCA audio cable not connected)

Turning off the product

1 Press the power supply button.



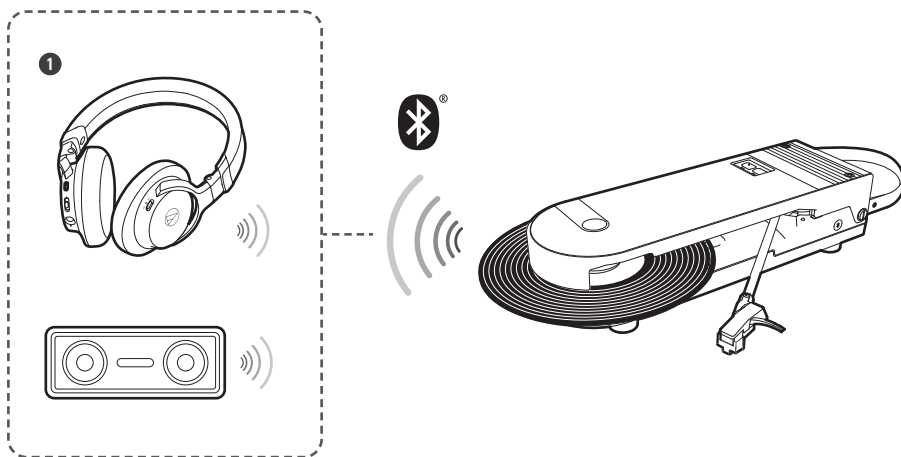
» The power turns off and the power supply indicator lamp turns off.

Wireless/wired connections

Depending on where this product is used, it can be connected wirelessly using Bluetooth or connected to devices such as active speakers using the RCA audio cable.

Wireless connections

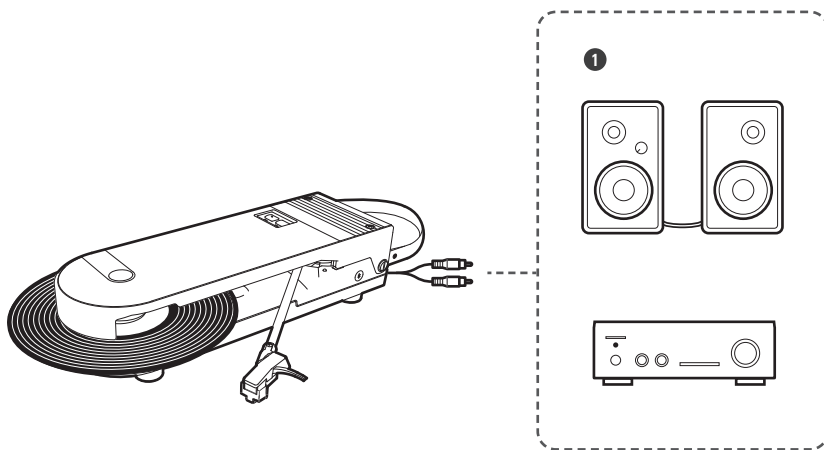
For details on wireless connections using Bluetooth, refer to "Using wireless connections" (p. 16).



1 Wireless headphones or wireless speaker

Wired connections

For details on wired connections using RCA audio cables, refer to "Using wired connections" (p. 18).



1 Active speakers or amplifier



- Volume cannot be adjusted if the connected speakers, etc., do not have a volume adjustment function.
- Connecting the RCA audio cables while connected via Bluetooth will switch to a wired connection.

Using wireless connections

This product supports Bluetooth connections. It can be connected with Bluetooth-supporting devices such as headphones and speakers (hereinafter, "Bluetooth devices").

About pairing

To connect the product to a Bluetooth device, the product needs to pair (register) with the device. Once they are paired, you do not need to pair them again.

However, you will need to pair again in the following cases:

- If the product is deleted from the Bluetooth device's connection history.
- If the product is sent out for repair.
- If the product's pairing history is reset.
- If 9 or more devices are paired.
(The product can be paired with up to 8 devices. When you pair with a new device after pairing with 8 devices, pairing information for the device with the oldest connection date will be overwritten by the information for the new device.)

Pairing a Bluetooth device

- Read the user manual for the Bluetooth device.
- Place the Bluetooth device within 1 m (3.3') of the product to perform pairing correctly.
- Note that Audio-Technica cannot guarantee the operation of connected Bluetooth devices.
- Disconnect the RCA audio cable.

1 Turn on the product.

2 Press and hold the product's wireless function button (for about 2 seconds).

- The product will start searching for devices and the power supply indicator lamp will start flashing quickly in white.



3 Set the Bluetooth device (Bluetooth-supporting devices such as headphones and speakers) to the pairing mode.

Using wireless connections

 **ON**



4 Once paired, the power supply indicator lamp will change to slowly flashing in white.



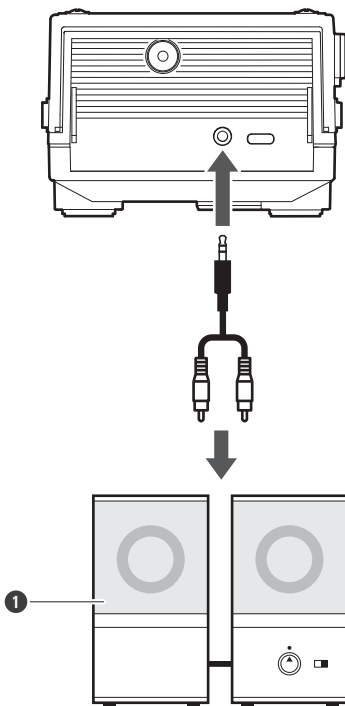
- The product's pairing mode will automatically end after a certain period of time (about 60 seconds). If pairing cannot be completed normally, try pairing again using the same procedure.

Using wired connections

- Connect the RCA audio cable to the input jacks of the connectable equipment you are using (amplifier, receiver, active speakers, sound card, etc.).
- The RCA audio cable's red plug is for the right (R) channel, and the white plug is for the left (L) channel.

Connecting to active (built-in amplifier) speakers

- Use active speakers when directly connecting this product to speakers.
- Some active speakers may need to be connected using conversion cables, etc.

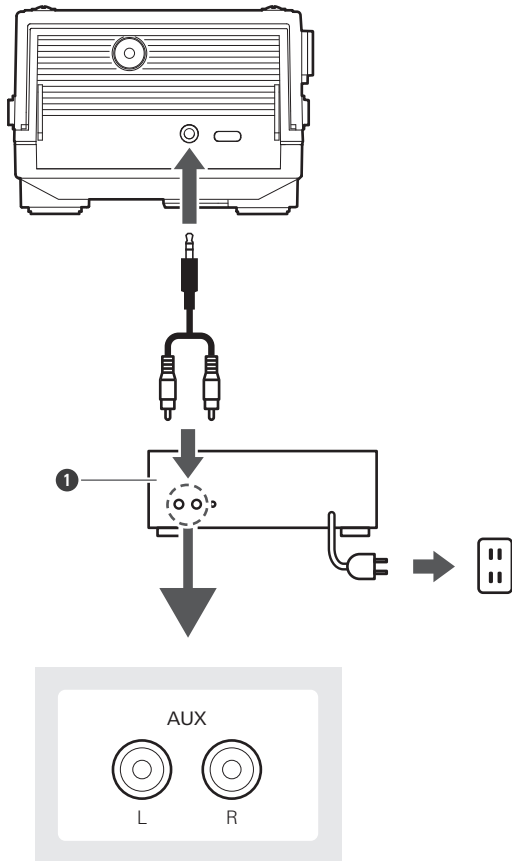


1 Active speakers



- Volume cannot be adjusted if the connected speakers, etc., do not have a volume adjustment function.

Connecting to connectable equipment (amplifiers, etc.)




1 Connectable equipment (amplifier, etc.)




Power supply indicator lamp display

The power supply indicator lamp of the product indicates the product's status as explained below.


Pairing

Status	Power supply indicator lamp display pattern
Searching for devices	 Flashing white in 0.5-second intervals

Connecting (wireless)

Status	Power supply indicator lamp display pattern
Waiting to be connected	 Flashing white in 1-second intervals
Connecting	 Flashing white (gradually lighting up)
Disconnecting	 Lights in white

Connecting (wired)

Status	Power supply indicator lamp display pattern
RCA audio cable connected	 Lights in white

Battery level

Status	Power supply indicator lamp display pattern
Battery level is low	White in the pairing or connection status turns red.

Using the product

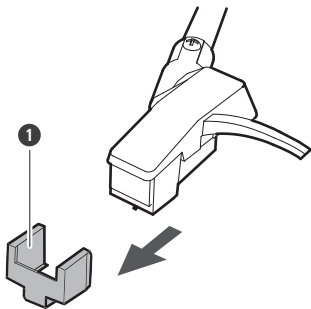
Playing a record

Lower the volume of the amplifier, active speakers, etc., sufficiently.

1 Place a record on the platter, turn on the power, and connect with the equipment.

2 Remove the cartridge's protector.

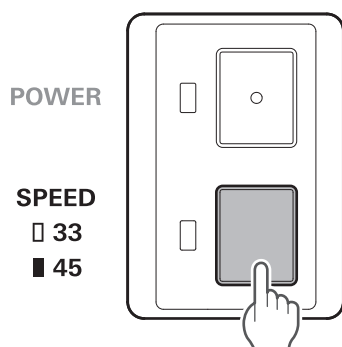
- Pull the protector straight forward to remove it.
- Applying a downward force may cause the stylus to come off the body. Only low volume is output if the stylus has come off, or is about to come off, so refer to "Replacing the stylus" (p. 25) to reattach the stylus correctly.
- Take care not to lose the protector.



1 Protector

3 Select the speed by pressing the platter speed button.

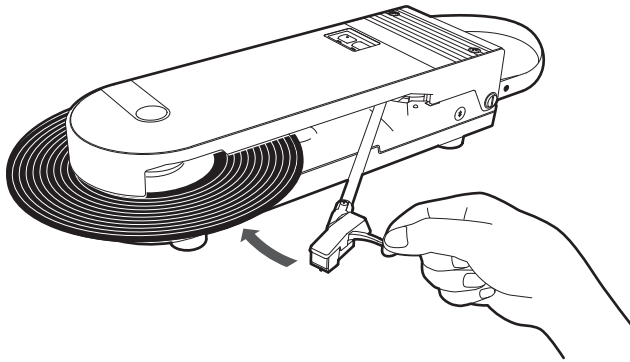
- Select "33" to play 33-1/3-RPM records or "45" to play 45-RPM records.
- The speed indicator lamp will turn off when "33" is selected.
- The speed indicator lamp will light in white when "45" is selected.



4 Move the stylus tip over the record.

- Moving the tonearm will cause the platter to start rotating.
- Gently lower the stylus tip onto the record.

Using the product



» Music will be played back on the connected equipment.

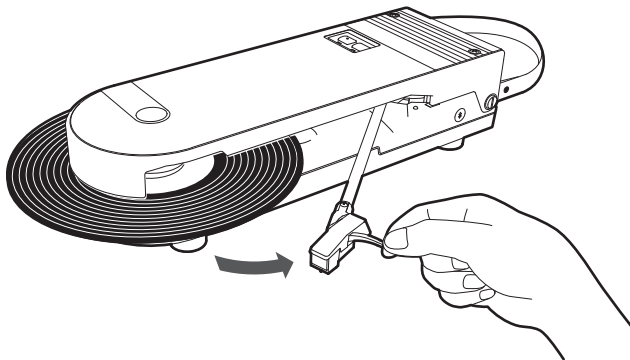


- If the record is warped significantly, it may interfere with the product and prevent playback. Because warpage may cause the product to malfunction, do not attempt to play warped records.

Stopping record playback

1 Gently lift the stylus tip from the record and pull the tonearm out until a click is heard.

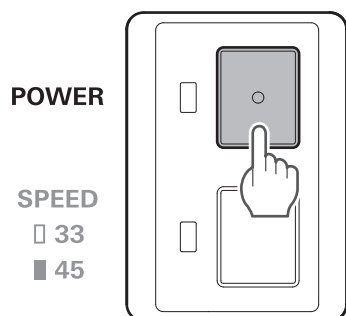
- The platter will stop rotating.



2 Turn off the power.

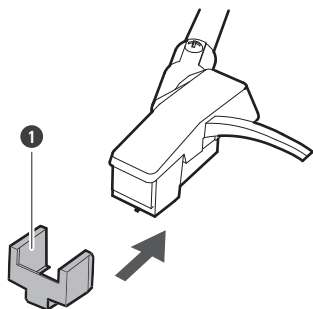
- The power supply indicator lamp turns off.

Using the product



3 Open the cover and remove both the 45 RPM adapter and record.

4 Mount the protector onto the cartridge.



1 Protector

5 Return the 45 RPM adapter to its original position and store the tonearm.

6 Close the cover.

Auto power off function

The product automatically turns off after 30 minutes of a record not being played.



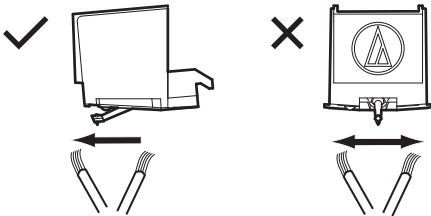
- The power may not automatically turn off depending on the size of the record label, etc.

Turntable body

- When the turntable body is dirty or dusty, first turn off the power supply, and then wipe off the dirt and dust with a soft, dry cloth.
- Do not use alcohol, benzenes, thinners, etc.
- When storing the product for a long time, wrap the equipment in plastic; do not allow it to become damp.

Stylus tip

- If dirt and grime are stuck to the stylus tip, clean it with a commercially sold brush.
- We recommend using a stylus cleaner (sold separately) if the stylus tip is considerably dirty. Clean the stylus tip by moving the brush from the rear to the front of the stylus tip.

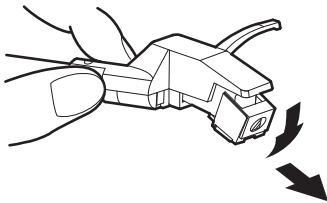


Replacing the stylus

Removing the stylus

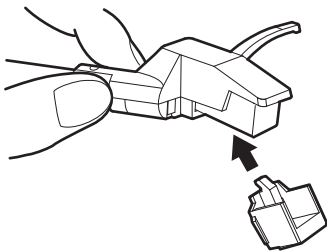
- In addition to the deterioration of sound quality, records may also be damaged as the cartridge's stylus tip wears down.
- As a rule of thumb, replace the stylus after 400 hours of use.
- Make sure to turn off the product.
- Firmly hold the headshell and cartridge when replacing the stylus.

- 1 Push down the stylus in the forward direction to rotate the front of the stylus tip.**

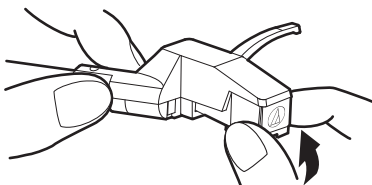


Installing a new replacement stylus

- 1 Mount the new replacement stylus to the cartridge.**
 - Align the stylus with the cartridge and push it up from the bottom.

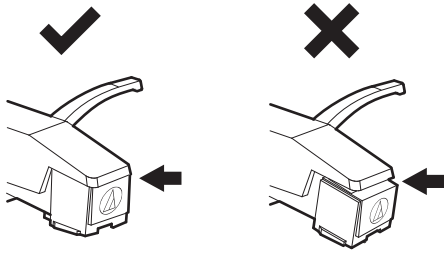


- 2 Hold the cartridge body and press up on the replacement stylus until it clicks into place.**



- 3 Confirm that there is no gap between the headshell and cartridge.**

Replacing the stylus



When the turntable is moved

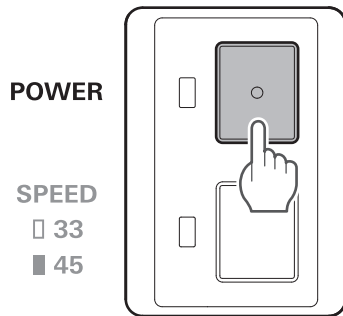
- The turntable cannot be moved while in use.
- Before moving, remove the record and store the tonearm and 45 RPM adapter.
- Hold the carrying handle firmly.
- Do not swing the turntable.
- Install the tonearm fixing screw when transporting.

Resetting

If the product does not connect to a device

If pairing cannot be cancelled or is not successful, you can use pairing mode to perform pairing again.

- 1 Turn on the product with the RCA audio cable disconnected.



- 2 Press and hold the wireless function button (for about 2 seconds).



» The product's power supply indicator lamp will change to flashing in white quickly and you will be able to pair with your desired Bluetooth device.



- If pairing cannot be completed normally, reset the pairing history and try pairing again using the same procedure.

Resetting the pairing history

If pairing is not successful, reset the pairing history.

- 1 With the product turned off, connect the USB cable to charge the product.
- 2 Press and hold the wireless function button (for about 10 seconds).

Resetting



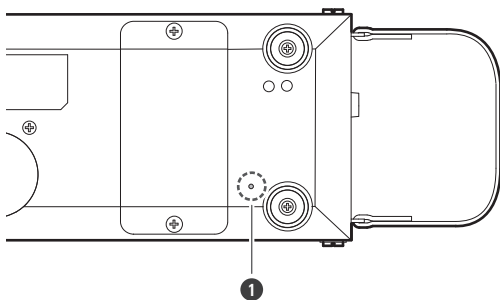
» The power supply indicator lamp will flash twice and the pairing history will be reset.

If the product operates abnormally (reset)

Reset the product.

- Resetting does not change any of your settings (such as pairing information).

1 Press the reset button on the bottom of the product with a paper clip or other thin object.



1 Reset button

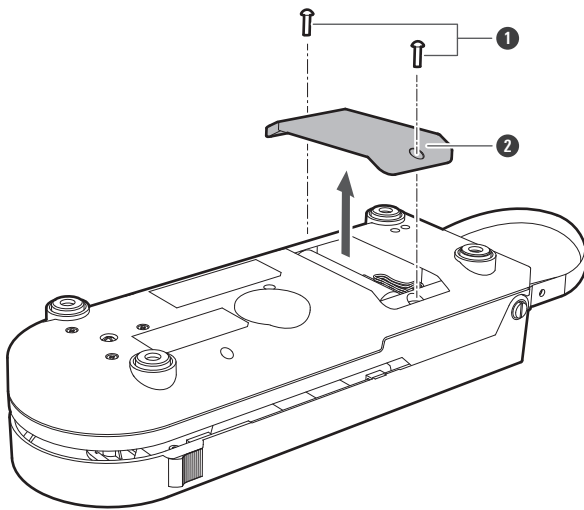
» **Reset is complete.**

Replacing the rechargeable battery

If the product's usage time is short even though it has been sufficiently charged, the rechargeable battery may have reached the end of its service life. If this is the case, you will need to replace the rechargeable battery by purchasing a new one. Rechargeable batteries can be purchased from your local Audio-Technica dealer.

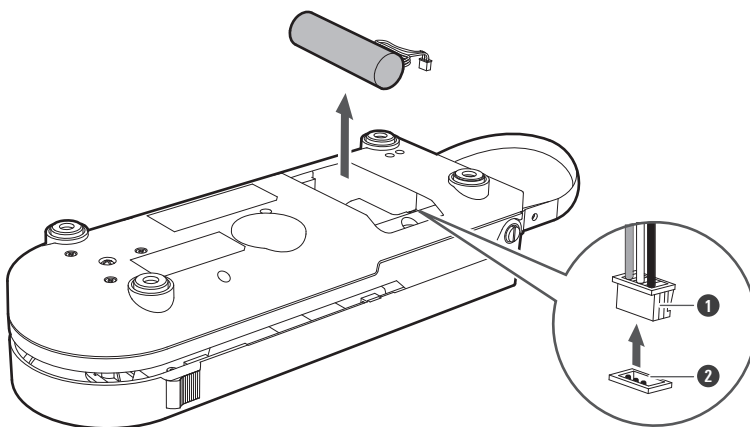
- Replacement must be performed by a professional in countries where replacement rechargeable batteries are not sold. Please contact your local Audio-Technica dealer.

- 1 Remove the two screws on the bottom of the product using a commercially sold Phillips-head screwdriver and remove the battery cover.**



- 1 Screws
- 2 Battery cover

- 2 Remove the rechargeable battery from the product and remove the plug from the connector.**

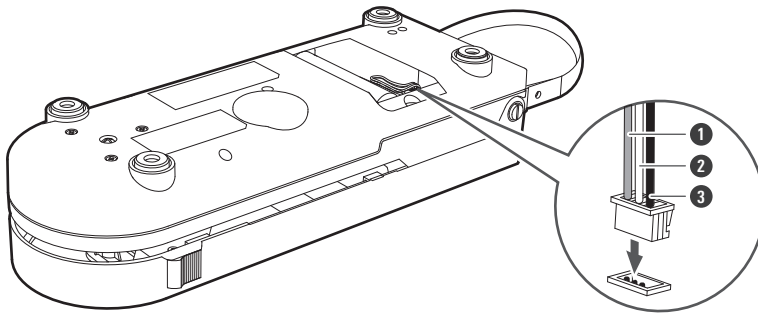


- 1 Plug
- 2 Connector

- 3 Firmly insert the plug of the new rechargeable battery into the connector and install the rechargeable battery.**

Replacing the rechargeable battery

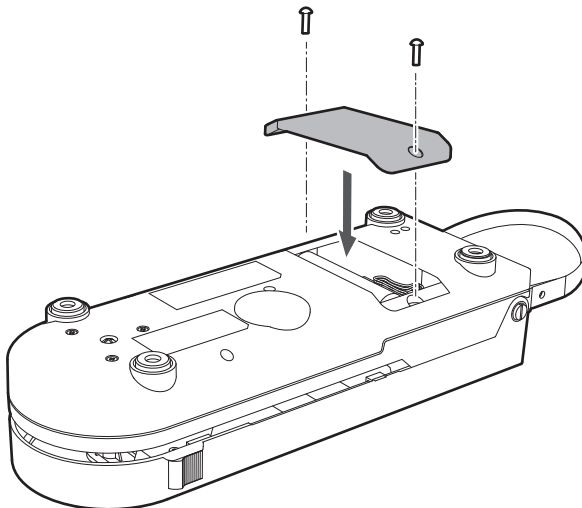
- Pay attention to the colors of the plug cables.



- ① Red
- ② Yellow
- ③ Black

4 Reinstall the battery cover and screws.

- Take care to prevent the cable of the rechargeable battery from being caught by the battery cover.



- Replace the rechargeable battery only after confirming that the product has been turned off.

Troubleshooting

? Power is not supplied

- Charge the product.

? The platter turns but no sound is heard / Sound is faint

- Are the function settings and input for connected equipment (amplifier, etc.) selected correctly? Check whether the settings for the connected equipment are correct.
- Is the stylus damaged? Check the stylus and replace it, if necessary.
- Is the stylus placed correctly on the body of the cartridge? Check the cartridge and adjust it, if necessary.

? The stylus skips

- Is the record warped? Check the record.
- Is the record scratched? Check the record.

? There is howling

- Is the product picking up excessive vibrations from the floor, surfaces of the walls, or nearby speakers? Decrease the vibrations or mount the product on a surface that is not subject to the effects of vibrations.
- Is the product mounted on an unstable surface? Check whether the surface on which the product is mounted is suitable.

? There is noise when the record is playing

- Is there dust on the cartridge's stylus tip? If dust is stuck to the stylus tip, clean it with a commercially sold brush.

? The sound when the record is playing is either too fast or too slow

- Are the speed settings for the product correct? Use the platter speed button to select the correct speed for the type of record being played.

? Unable to pair

- Confirm that the Bluetooth device communicates using Ver. 2.1+EDR or higher.
- Place the product and the Bluetooth device within 1 m (3.3') of each other.

Troubleshooting

- When switching to a new Bluetooth device, you may not be able to pair because the previously connected Bluetooth device cannot be disconnected. In such cases, press and hold (about 2 seconds) the wireless function button. The product will switch to the “searching for devices” state and you will be able to pair with your desired Bluetooth device.
- Reset the pairing history between the Bluetooth device and the product before pairing with the product again.

No sound is heard / Sound is faint (when connected via Bluetooth)

- Turn on the power of the product and the Bluetooth device.
- Turn up the volume on the Bluetooth device.
- Move away from obstacles between the product and the Bluetooth device, such as people, metal, or walls, and place the product and device closer together.

Sound is distorted / Noise is heard / Sound cuts out

- Turn down the volume on the connected device.
- Keep the product away from devices that emit radio waves such as microwaves and wireless routers.
- Keep the product away from TVs, radios, and devices with built-in tuners. These devices can also be affected by the product.
- Turn off the equalizer settings of the Bluetooth device.
- Move away from obstacles between the product and the Bluetooth device, such as people, metal, or walls, and place the product and device closer together.

The product cannot be charged / Charging takes a long time

- Check whether the product and USB power adapter are connected directly and not via a USB hub, etc.
- Securely connect the included USB cable and charge the product.
- Charge the product in a well-ventilated place (10 to 35°C (50 to 95°F)) away from direct sunlight.




- For details about how to operate your Bluetooth device, refer to the device’s user manual.

Specifications

Communication specifications

Communication system	Bluetooth version 5.2
Maximum RF output	10 mW EIRP
Maximum communication range	Line of sight - approx. 10 m (33')
Frequency band	2.402 GHz to 2.480 GHz
Modulation method	GFSK, Pi/4DQPSK, 8DPSK
Spread spectrum method	FHSS
Compatible Bluetooth profiles	A2DP, AVRCP
Supported codec	SBC
Transmission band	20 to 20,000 Hz

Main unit

Power supply	DC 3.6 V lithium ion battery
Drive method	Belt drive
Motor	DC servo motor
Speeds	33-1/3 RPM, 45 RPM
Turntable platter	Aluminum
Wow and flutter	< 0.25% (WTD) at 3 kHz
Signal-to-noise ratio	> 50 dB (DIN-B)
Cartridge model	VM stereo cartridge
Output levels	150 mV nominal at 1 kHz, 5 cm/sec (No phono-output)
Phono Pre-amp gain	36 dB nominal, RIAA equalized
Charging specifications	5 V  0.5 A
Power consumption	1.5 W (when charging)
Charging time	Approx. 12 hours ^[1]
Operating time	Approx. 12 hours ^[1]
Input jack	USB Type-C jack
Dimensions	100 mm (3.9") × 290 mm (11") × 70 mm (2.8") (W × D × H)
Weight	Approx. 900 g (32 oz)
Operating temperature	5°C to 40°C (41°F to 104°F)
Accessories	USB charging cable (1.5 m (4.9')), USB Type-A / USB Type-C), RCA audio cable, 45 RPM adapter
Replacement stylus (sold separately)	ATN3600L

[1] The figures above depend on operating conditions.

Specifications

- For product improvement, the product is subject to modification without notice.

Trademarks

- The **Bluetooth**[®] word mark and logos are registered trademarks owned by Bluetooth SIG, Inc., and any use of such marks by Audio-Technica Corporation is under license. Other trademarks and trade names are those of their respective owners.
- USB Type-C[™] is a trademark of USB Implementers Forum.

株式会社オーディオテクニカ

〒194-8666 東京都町田市西成瀬2-46-1
www.audio-technica.co.jp

Audio-Technica Corporation

2-46-1 Nishi-naruse, Machida, Tokyo 194-8666, Japan
www.audio-technica.com
©2023 Audio-Technica Corporation
Global Support Contact: www.at-globalsupport.com

162900530-02-02 ver.1 2022.11.01
ver.2 2023.11.15