



ATSP-30LP **ATSP-30LK**

Network Speaker

User Manual

English

Important information

- Keep the product out of the reach of small children. The product is not intended for use around children.
- Do not place the product near fire to avoid an accident or the product catching fire.

Safety precautions

Although this product was designed to be used safely, failing to use it correctly may result in an accident. To ensure safety, observe all warnings and cautions while using the product.

The product is intended for commercial use, not for general use.

- Disconnect the product from a device if the product begins to malfunction, producing smoke, odor, heat, unwanted noise or showing other signs of damage. In such a case, contact your local Audio-Technica dealer.
- Do not disassemble, modify or attempt to repair the product to avoid electric shock, malfunction or fire.
- Do not subject the product to strong impact to avoid electric shock, malfunction or fire.
- Do not handle the product with wet hands to avoid electric shock or injury.
- Do not allow the product to get wet to avoid electric shock or malfunction.
- Do not put foreign matter such as combustible materials, metal, or liquid in the product.
- Do not cover the product with a cloth to avoid fire or injury by overheating.
- Do not put the product in a location where it is exposed to direct sunlight, near heating devices, or in places with high temperatures, high humidity, or high concentrations of dust to avoid electric shock, fire, malfunction, etc.
- Keep away from fire to avoid deformation or malfunction.
- Do not use chemicals such as benzine, thinner, electrical contact cleaner, etc. to avoid deformation or malfunction.

For customers in the USA

FCC Notice

Warning

This device complies with Part 15 of the FCC Rules. Operation is subject to the following two conditions: (1) This device may not cause harmful interference, and (2) this device must accept any interference received, including interference that may cause undesired operation.

Caution

You are cautioned that any changes or modifications not expressly approved in this manual could void your authority to operate this equipment.

Note: This equipment has been tested and found to comply with the limits for a Class B digital device, pursuant to part 15 of the FCC Rules. These limits are designed to provide reasonable protection against harmful interference in a residential installation. This equipment generates, uses and can radiate radio frequency energy and, if not installed and used in accordance with the instructions, may cause harmful interference to radio communications. However, there is no guarantee that interference will not occur in a particular installation. If this equipment does cause harmful interference to radio or television reception, which can be determined by turning the equipment off and on, the user is encouraged to try to correct the interference by one or more of the following measures:

Important information

- Reorient or relocate the receiving antenna.
- Increase the separation between the equipment and receiver.
- Connect the equipment into an outlet on a circuit different from that to which the receiver is connected.
- Consult the dealer or an experienced radio/TV technician for help.

Contact

Responsible Company: Audio-Technica U.S., Inc.

Address: 1221 Commerce Drive, Stow, Ohio 44224, USA

Tel: 330-686-2600

For customers in Canada

ISED statement

CAN ICES(B)/NMB(B)

Installation precautions

- This product should be installed by a professional contractor. When determining the installation location and method, be sure to consider the applicable laws and ordinances for the area where the product is being installed.
- Audio-Technica assumes no responsibility in the event of accidents such as the product dropping due to insufficient strength of the installation site or improper installation.
- When working in an elevated location, be sure to choose a stable location with no loose items on the ground before working.
- Install the product in a location where there is no risk of the product being hit or damaged by the movements of nearby people or equipment.
- Be sure to verify the strength of the installation location. The installation location should generally be able to handle at least 10 times the weight of the product.
- Depending on the structure of the ceiling, vibrations may cause noise to be generated. Appropriate separate damping measures are recommended.
- Be sure to use only the included accessories for installation.
- Do not use the included accessories for any purpose other than for use with this product.
- Do not install the product in areas with exposure to high levels of oil or smoke, or where solvents or solutions are volatilized. Such conditions may result in chemical reactions that lead to deterioration or damage of the product's plastic parts, which may cause an accident such as the product dropping from the ceiling.
- Do not install the product in areas where damage from salt or corrosive gas may occur. Such damage may reduce the strength of the product and cause an accident such as the product dropping from the ceiling.
- Be sure to tighten the screws properly and completely. Failing to do so may result in injury due to an accident such as the product dropping from the ceiling.
- Use sufficient caution while working because if the screws are tightened excessively, there is the risk of damage to the product.
- Do not pinch the cables during installation.
- Securely attach the seismic cable and suspension string in the specified positions.
- Attach the seismic cable so that there is as little slack as possible.
- If the impact from a fall is applied to the seismic cable, replace the cable with a new one.

Maintenance

When dirty or dusty, wipe clean using a dry, soft cloth.



- Do not use benzine, paint thinners, or electrical contact cleaners. Doing so may cause deformation or malfunction.

About this manual

This manual describes the following products.

Network speaker

Model No.	Description
ATSP-30LP	This model comprises a set of the ATSP-30LK (main speaker) and ATSP-30 (extension speaker).
ATSP-30LK	This is a single unit model consisting of the ATSP-30LK (main speaker).

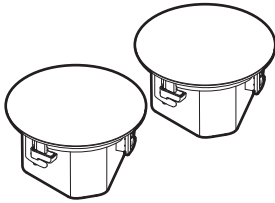
Link extender

Model No.	Description
ATLK-EXT30	This is a extender for the Audio-Technica LINK.

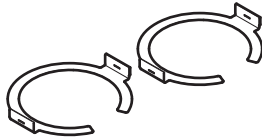
Package contents

ATSP-30LP

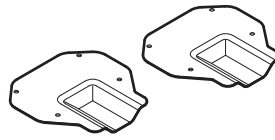
1



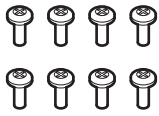
2



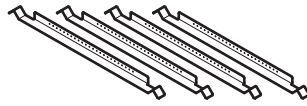
3



4



5



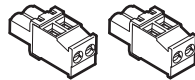
6



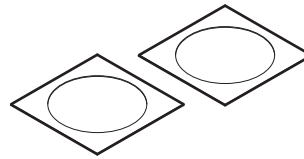
7



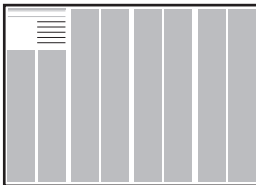
8



9



10

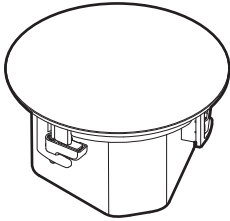


- 1 Speaker (x2)
- 2 Mount ring (x2)
- 3 Flush mount cover (x2)
- 4 Screw (M3 x 8 mm (0.31")) (x8)
- 5 Tile bridge (x4)
- 6 Screw (M4 x 8 mm (0.31")) (x4)
- 7 Seismic cable (x2)
- 8 Euroblock connector (x2)
- 9 Installation template (x2)
- 10 Quick Start Guide

Package contents

ATSP-30LK

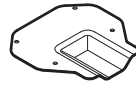
1



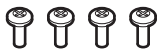
2



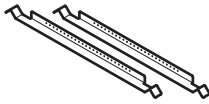
3



4



5



6



7



8



9



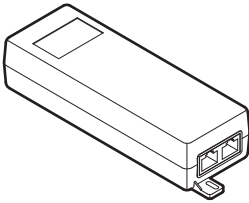
10



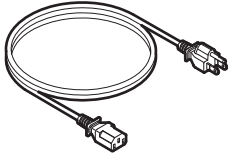
- 1 Speaker
- 2 Mount ring
- 3 Flush mount cover
- 4 Screw (M3 × 8 mm (0.31")) (×4)
- 5 Tile bridge (×2)
- 6 Screw (M4 × 8 mm (0.31")) (×2)
- 7 Seismic cable
- 8 Euroblock connector
- 9 Installation template
- 10 Quick Start Guide

ATLK-EXT30

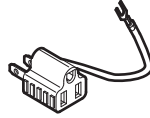
1



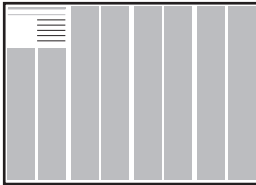
2



3



4



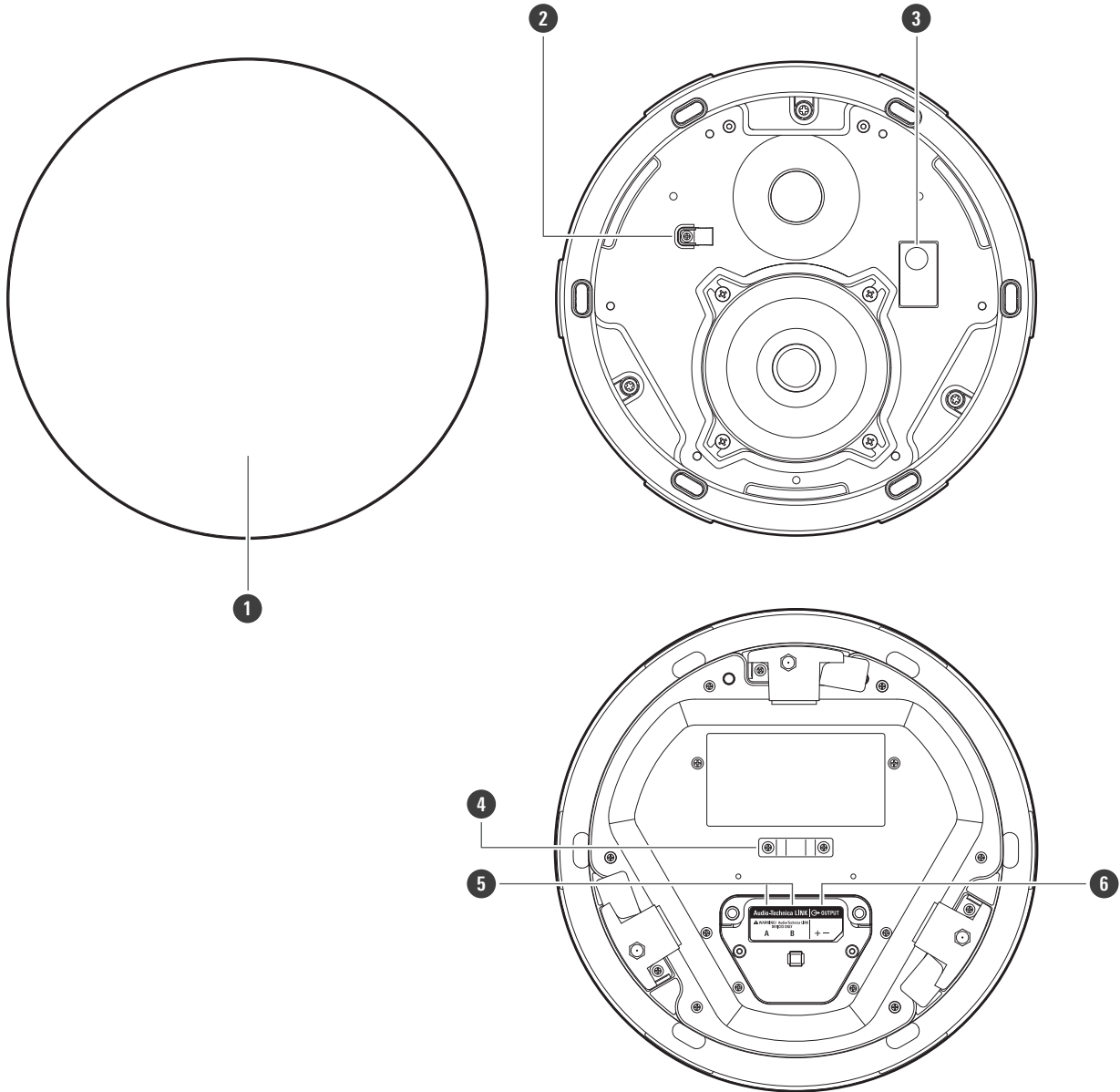
- 1 Link extender
- 2 AC cable
- 3 AC plug adapter
- 4 Quick Start Guide



- Whether or not the AC cable and AC plug adapter are provided, and the type of AC cable and AC plug adapter, varies depending on the country of sale.

Part names and functions

ATSP-30LK



1 Speaker grille (punched metal)

The suspension string is attached to the inside.

2 Suspension string attachment hook

This hook is used to suspend the speaker grille.

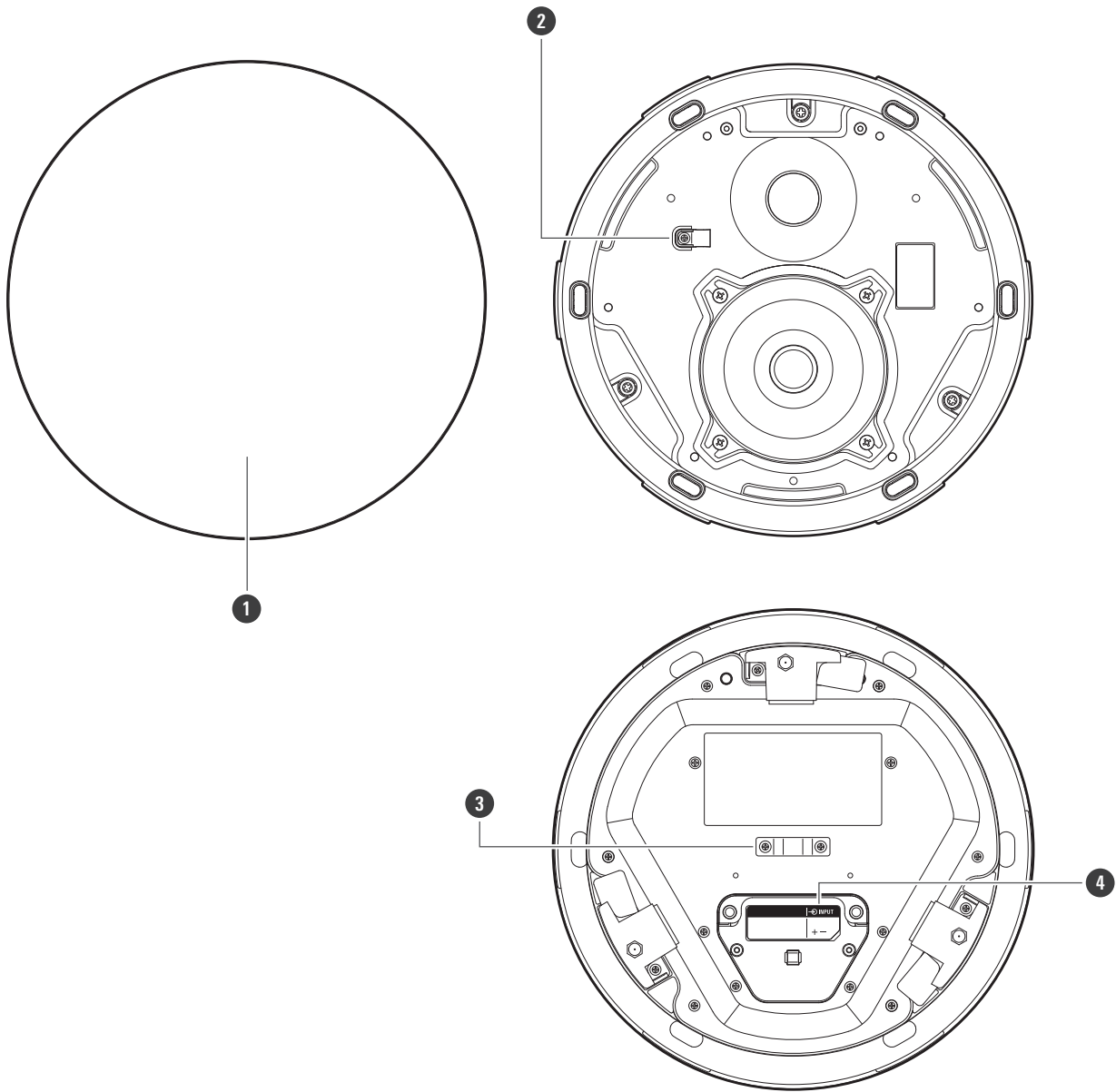
3 Indicator lamp

4 Seismic cable bracket

5 Network A/B ports

6 Analog output port

ATSP-30



1 Speaker grille (punched metal)

The suspension string is attached to the inside.

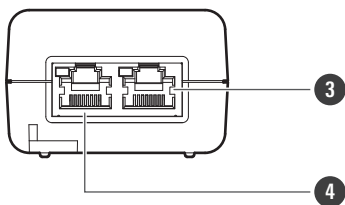
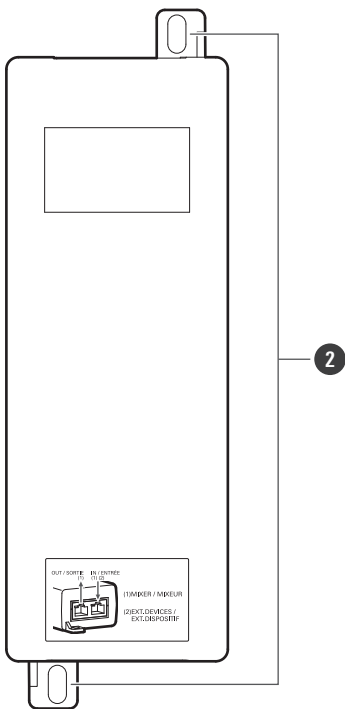
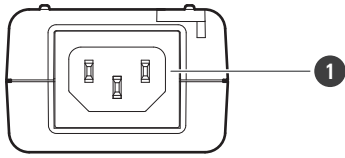
2 Suspension string attachment hook

This hook is used to suspend the speaker grille.

3 Seismic cable bracket

4 Analog input port

ATLK-EXT30



- 1 Power input port
- 2 Mounting screw hole (for fastening the main unit)
- 3 Audio-Technica LINK input port
- 4 Audio-Technica LINK output port

Indicator lamps

The indicator lamps illuminate or flash according to the speaker status as shown below.

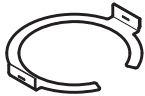
Indicator lamp	Status
Flashes in blue	Starting
Lights in green	Normal operation LED mode (Default)
Lights in blue	Normal operation LED mode (Blue)
Off	Normal operation LED mode (Off)
Lights in red	Mute
Alternately lights in red and green (red -> green -> red -> green...)	Identification in progress
Alternately flashes in red and green (red -> off -> green -> off -> red...)	Firmware update in progress
Flashes in red	Error or firmware update failed

Ceiling installation

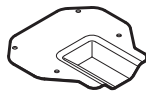
Parts required for installation

The following uses the installation of a single speaker as an example.

1



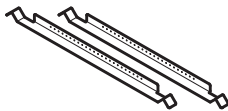
2



3



4



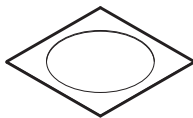
5



6



7

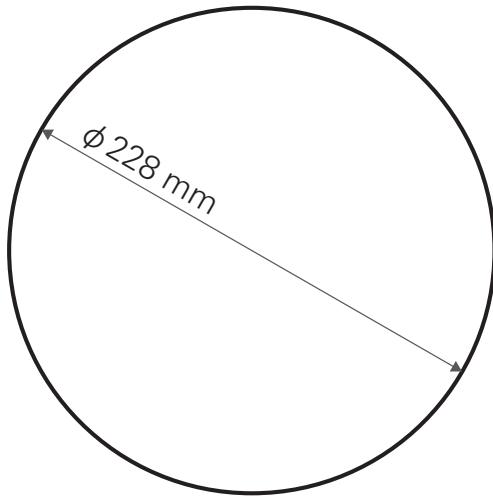


- 1 Mount ring
- 2 Flush mount cover
- 3 Screw (M3 × 8 mm (0.31")) (×4)
- 4 Tile bridge (×2)
- 5 Screw (M4 × 8 mm (0.31")) (×2)
- 6 Seismic cable
- 7 Installation template

1 Cut a hole in the ceiling for attaching the speaker.

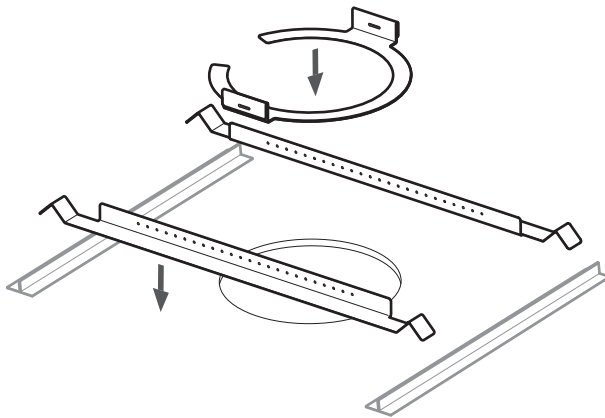
- Use the provided installation template to cut out a mounting hole according to the specified dimensions.
- Installation may not be possible in some areas depending on the placement of the ceiling frame. Check the internal structure of the ceiling (wall thickness, material, etc.) before choosing an installation location.

Ceiling installation

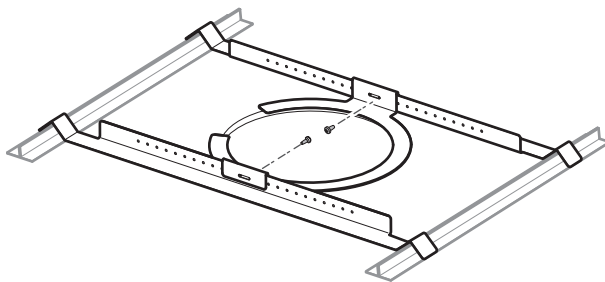


2 Attach the tile bridges and mount ring on the reverse side of the ceiling.

- When installing, adjust to match the ceiling frame.

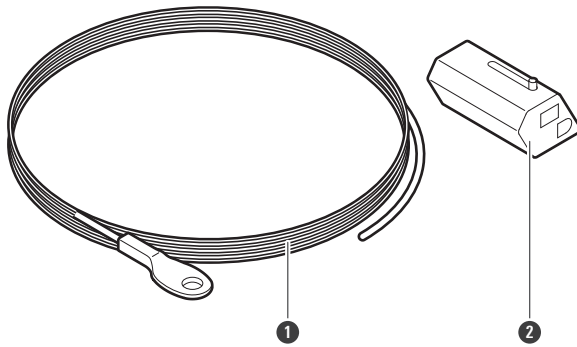


3 Adjust the positions of the tile bridges to match the width of the mount ring, and attach the mount ring and tile bridges using the screws (M4 x 8 mm (0.31")).



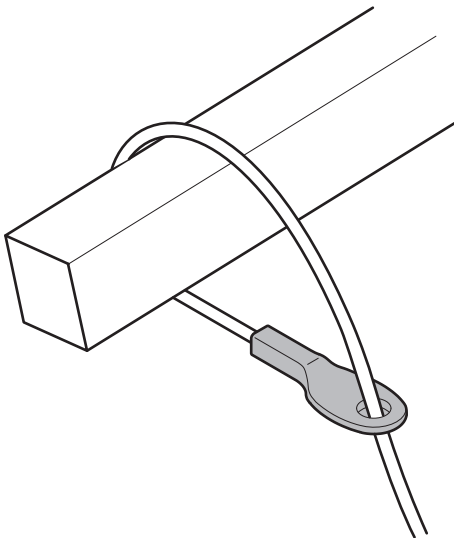
Ceiling installation

- 4** Remove the length adjustment part from the seismic cable.

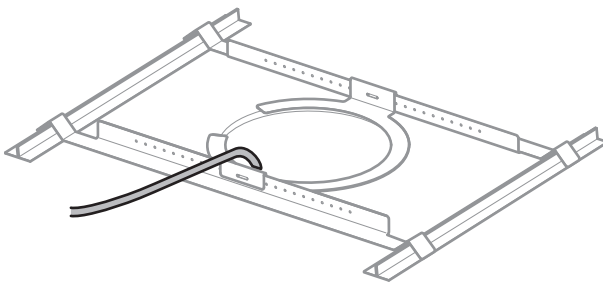


- ① Cable
- ② Length adjustment part

- 5** Securely attach the seismic cable to a strong point on the ceiling frame.



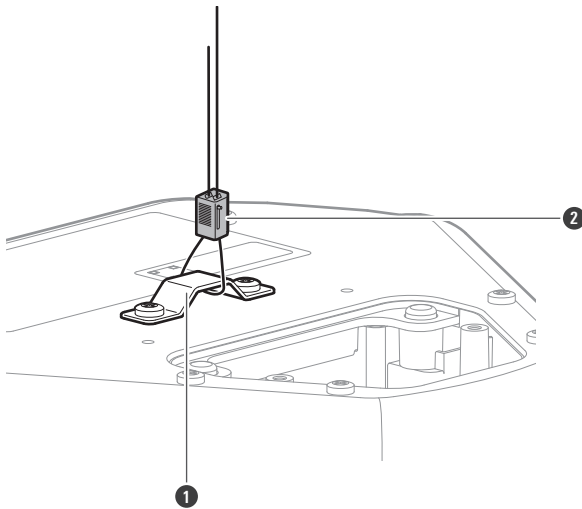
- 6** Run the cable inside the ceiling.



Ceiling installation

7 Pass the seismic cable through the length adjustment part and the speaker seismic cable bracket, and use the length adjustment part to adjust the cable length.

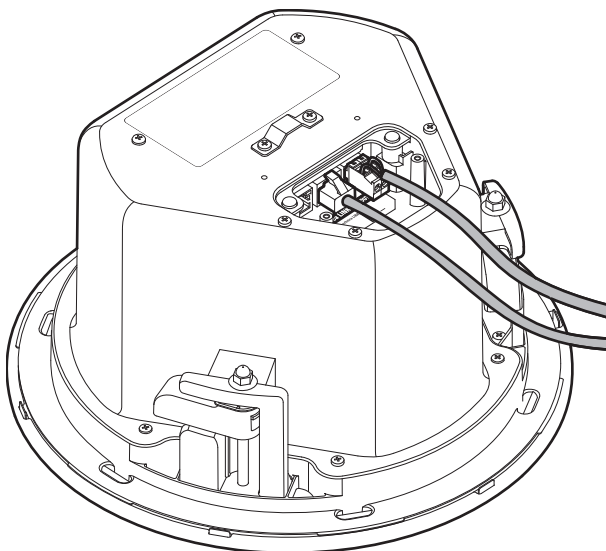
- Attach the seismic cable so that there is as little slack as possible.
- Using the seismic cable with a large amount of slack could increase the impact exerted were the speaker to fall, and may result in an accident, injury, or damage to the speaker.
- If the impact from a fall is applied to the seismic cable, replace the cable with a new one.



- ① Seismic cable bracket
- ② Length adjustment part

8 Connect the network cables to the speaker.

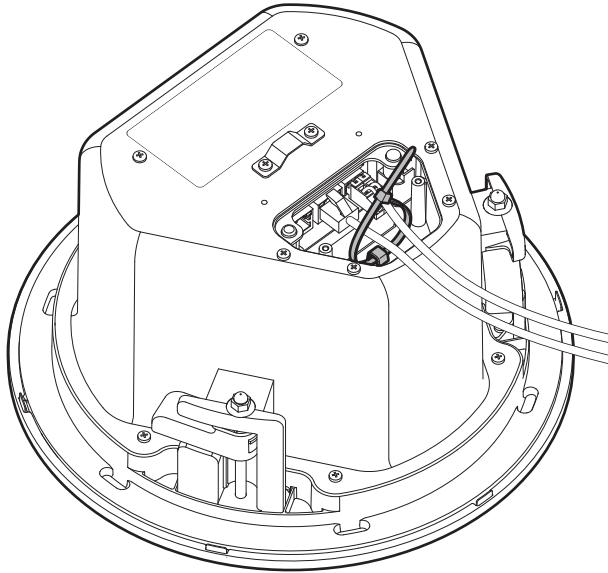
- See "Connection procedure" (p. 20) for details on connecting the cables.



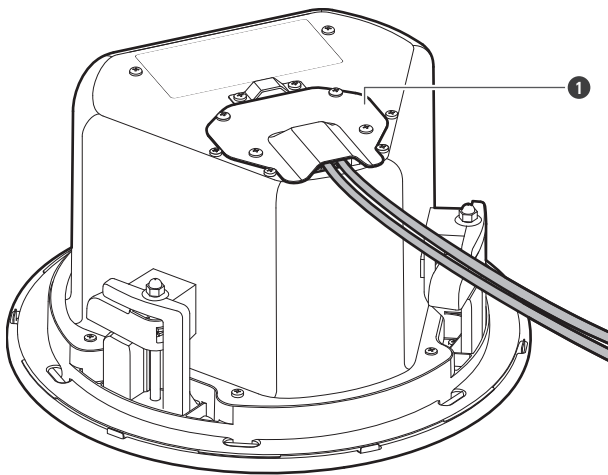
Ceiling installation

When using zip ties

It is also recommended that you use commercially available zip ties or similar means to fasten the cables so they do not apply a load to the Euroblock connector. When using zip ties, install them as shown in the figure.



9 Attach the flush mount cover using the screws (M3 × 8 mm (0.31")) (×4).

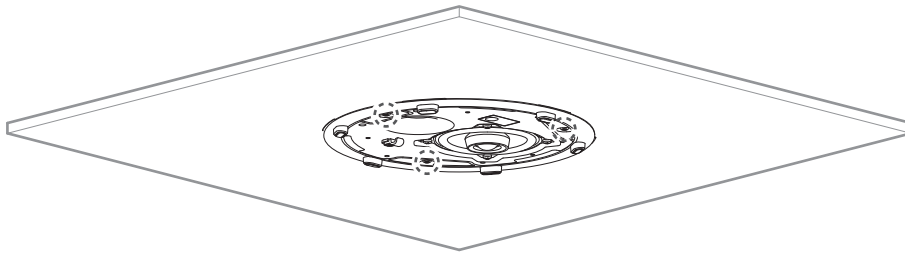


1 Flush mount cover

10 Fit the speaker into the mount ring and tighten the screws at the three mounting structures clockwise.

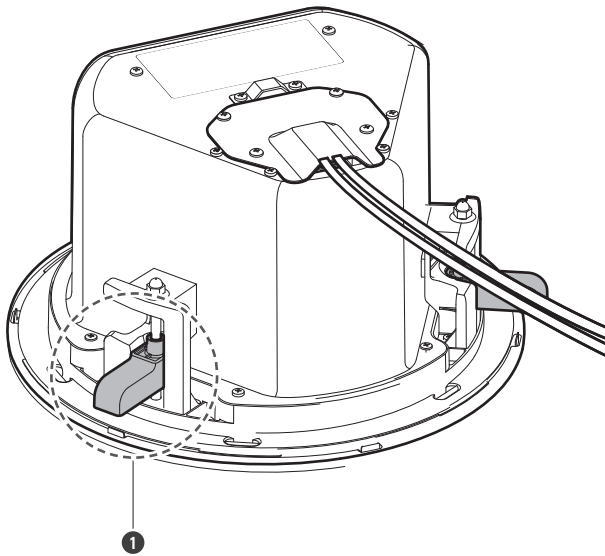
- Use a No. 2 Phillips screwdriver to tighten the screws. Using the wrong size screwdriver could strip the screw holes.
- Tighten the three screws fully until they stop turning.

Ceiling installation



Mounting structure screws

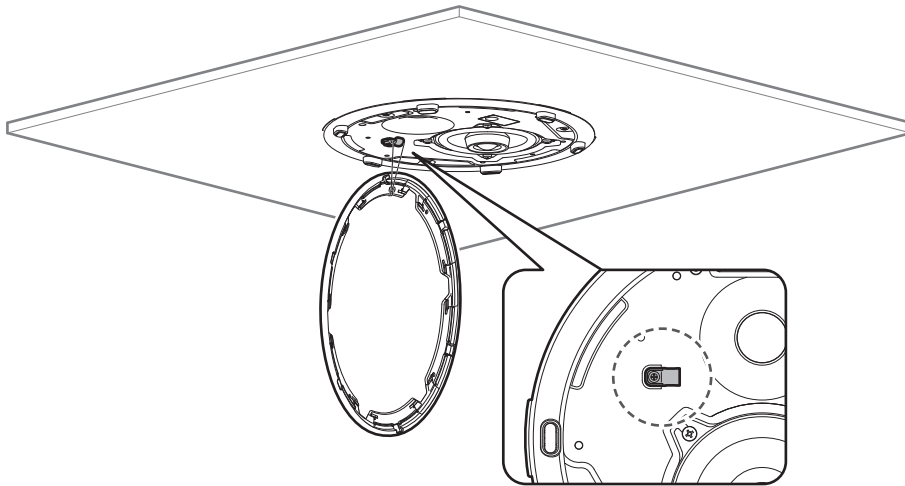
When tightening the screws at the three mounting structures firmly, the speaker ceiling mounting arm opens and is fixed to the ceiling.



1 Ceiling mounting arm

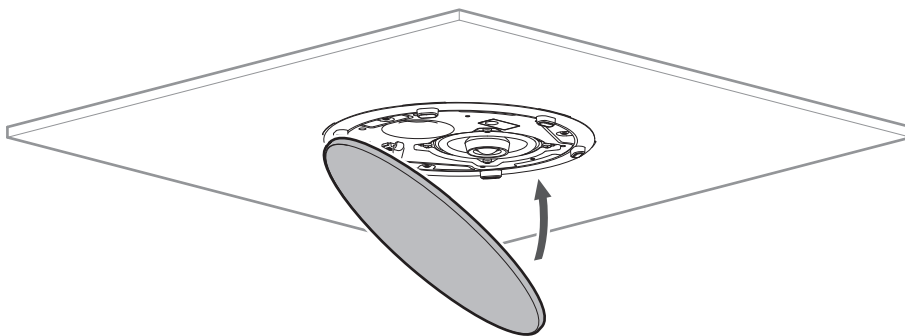
- 11** Hook the speaker grille suspension string onto the suspension string attachment hook on the front panel.

Ceiling installation



12 Attach the speaker grille to the front panel.

- The speaker grille is attached to the front panel by magnets.



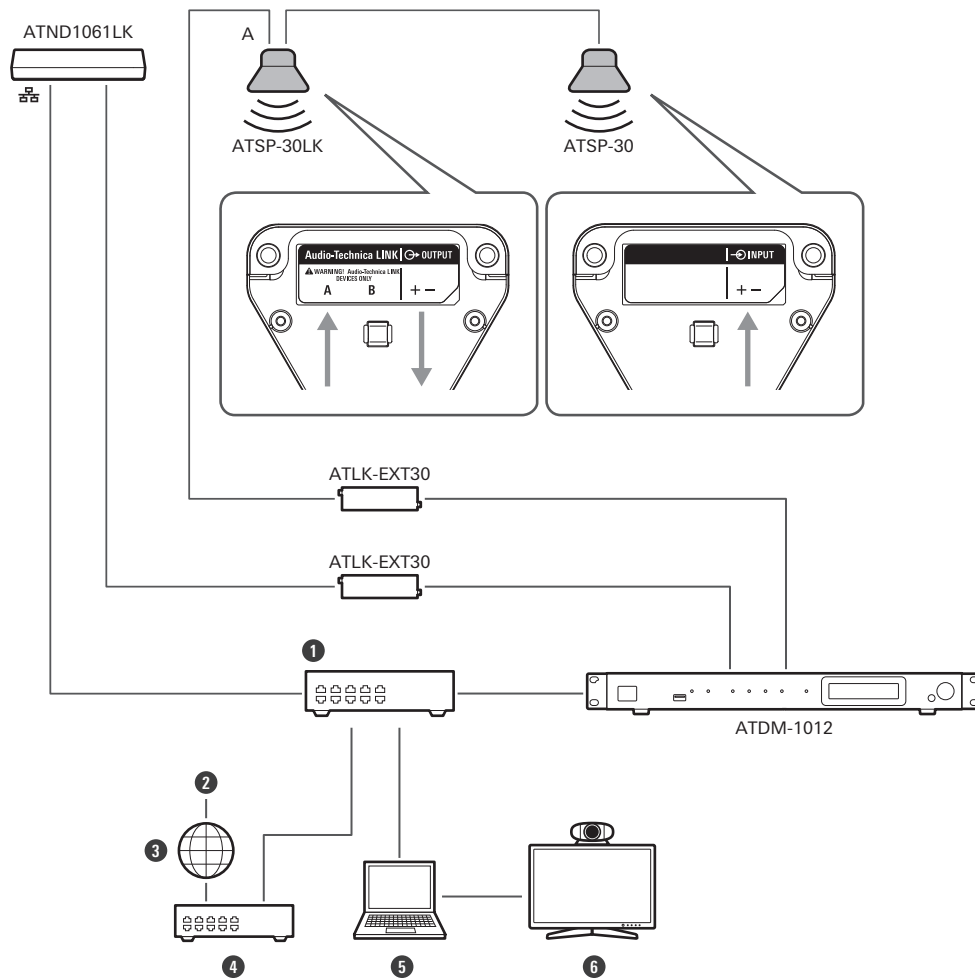
- When installing the speaker, be careful not to drop any screws or other foreign objects into the speaker duct.

Connection procedure

System connection examples

ATSP-30LP (connecting only one set)

This example shows the connection of an ATSP-30LK (main speaker) and an ATSP-30 (extension speaker).

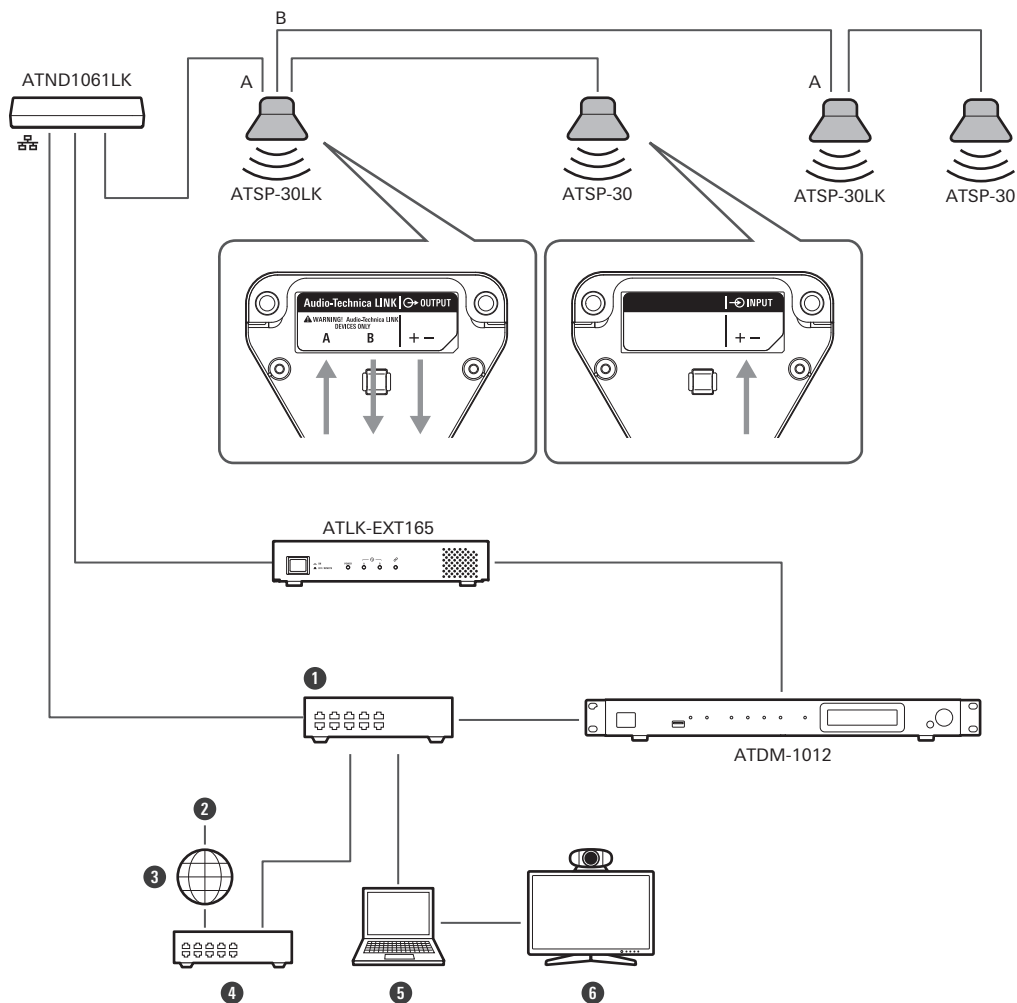


- 1 Switching hub
- 2 Audio from other location
- 3 Internet
- 4 Router
- 5 PC
- 6 Display

ATSP-30LP (connecting multiple units)

This example shows the connection of multiple ATSP-30LK (main speaker) and ATSP-30 (extension speaker).

Connection procedure



- ❶ Switching hub
- ❷ Audio from other location
- ❸ Internet
- ❹ Router
- ❺ PC
- ❻ Display

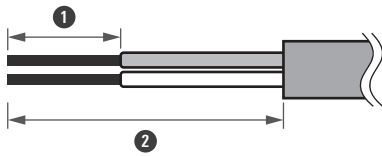
Connecting Euroblock connectors

The Euroblock connector provided with the speaker is compatible with speaker cable sizes 18 AWG (0.823 mm² (0.032"²)) to 14 AWG (2.08 mm² (0.082"²)).

1 Strip and wire the cable as shown in the diagram.

- Do not solder stranded wires.

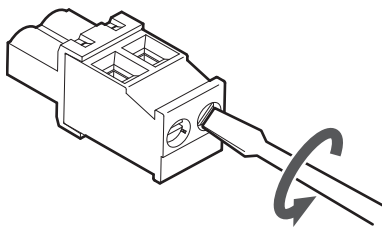
Connection procedure



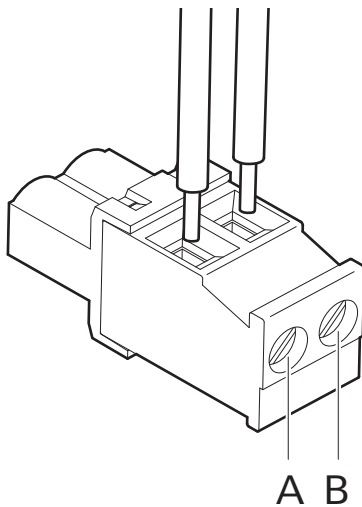
① Approx. 5 mm (0.20")

② Approx. 20 mm (0.79")

2 Loosen the screws with a flathead screwdriver.



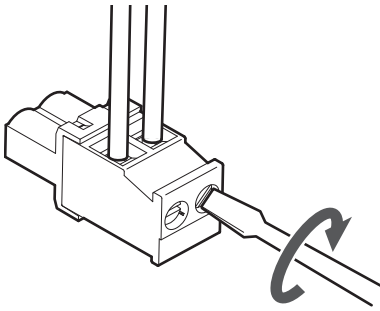
3 Check the pin assignments and connect each cable.



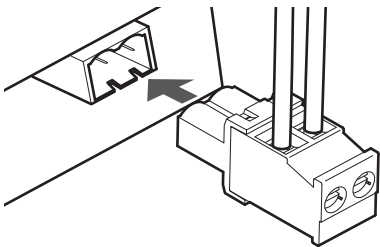
Terminal	Pin assignments
INPUT	A (+: HOT) B (-: GND)
OUTPUT	A (+: HOT) B (-: GND)

4 Tighten the screws.

Connection procedure



5 Connect the Euroblock connector to the speaker.



- Be careful to prevent a short circuit between the positive (+) and negative (-) lines.

Audio-Technica LINK

The ATSP-30LK uses a proprietary format, "Audio-Technica LINK", to transmit audio signals and supply power between devices.

- Enables a daisy-chain connection for multi-channel transmission.
- Enables high-speed signal transmission with low latency for stable control and transmission of multi-channel uncompressed audio signals.
- Enhances connectivity as it conforms to Ethernet standards and can be connected using a general-purpose LAN cable.



- Make sure to use a LAN cable of CAT5e or higher, a conductor with a diameter of 24 AWG or larger, and a shield.



- Connections with the ATUC-50 series and the ATUC-IR series are not possible.

Related application

The following applications are provided in order to make better use of the speaker. For details of related applications, please check the Audio-Technica website.

Application name	Description
Audio-Technica LINK Simulator	This is a web application that simulates the device configuration and power supply in an Audio-Technica LINK system. It calculates the power based on the configuration of the connected devices that you want to configure and, when necessary, can also check whether the addition of a LINK extender is required.
Speaker Layout Tool	This is a web application for designing the speaker layout. Enter the dimensions of the room and the conditions of use to automatically calculate the speaker layout and display the coverage area.

ATDM series mixer settings

When using Audio-Technica LINK to connect an ATSP-30LK and an ATDM series mixer, the mixer web remote or Smart Mixer Manager application can be used to configure the speakers.

- For information on how to operate the ATDM series mixer, refer to the user manual for the mixer or Smart Mixer Manager.

ATSP-30LK basic settings

1 Connect the ATSP-30LK to the Audio-Technica LINK EXT. DEVICES terminal on the ATDM series mixer.

- Connecting with the ATDM series may require a link extender (ATLK-EXT30/ATLK-EXT165). For details, contact your local Audio-Technica dealer.

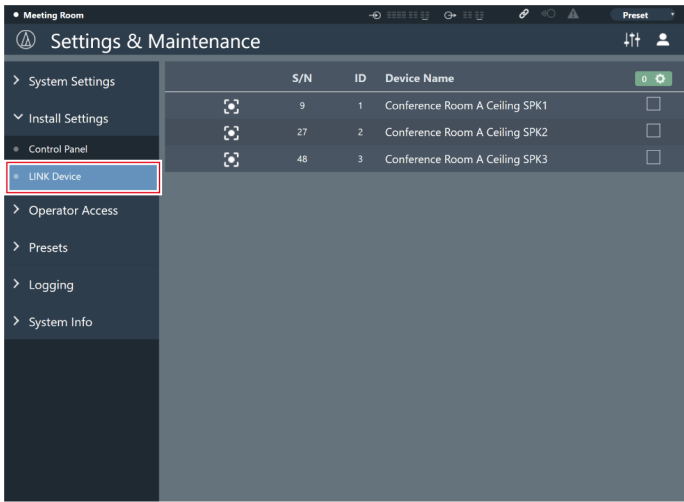
2 Start the ATDM series mixer web remote, and click the gear icon at the top right of the screen.



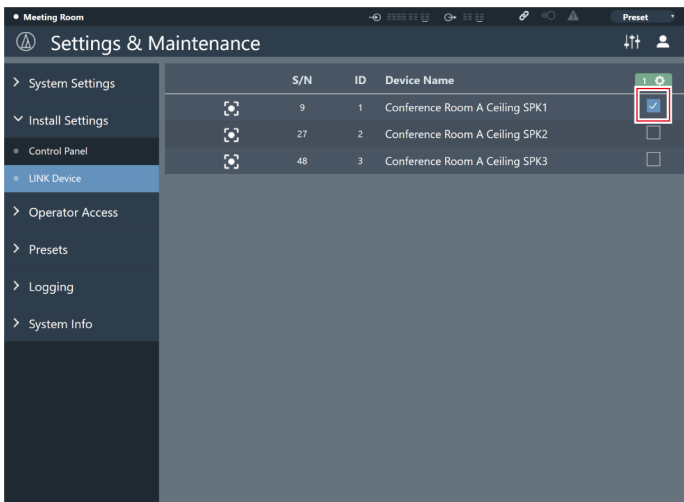
3 Under "Installation Settings," click "LINK Device."

- Check that the connected speaker is displayed in the list on the screen.

ATDM series mixer settings

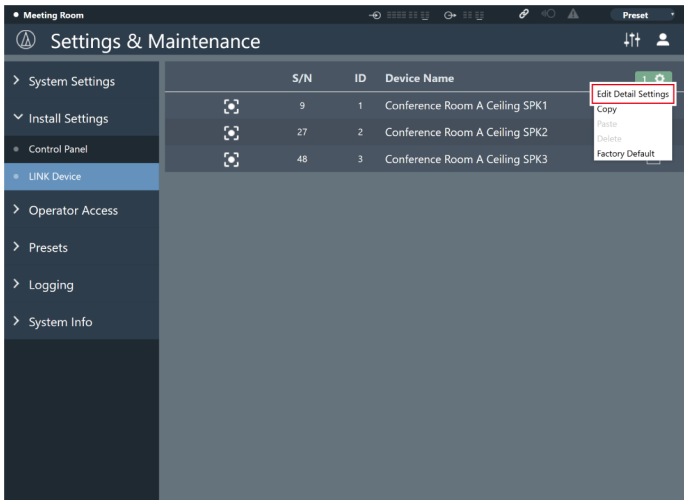


4 Click the check box on the right side.



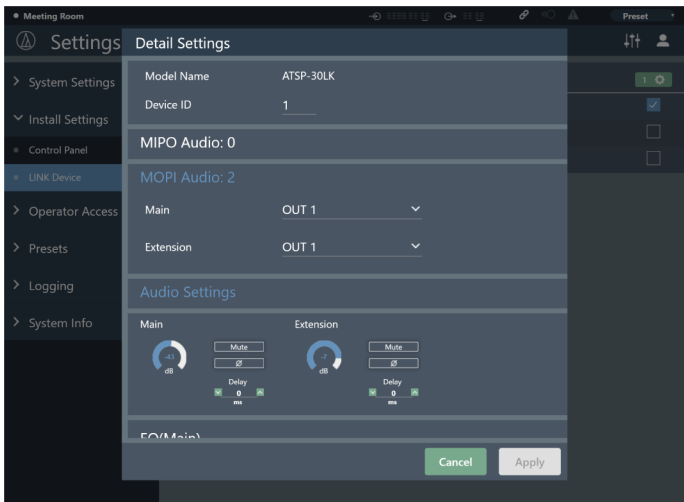
5 Click the gear icon at the top right of the screen, and select "Edit Detail Settings."

ATDM series mixer settings



» The detailed settings screen appears.

6 Configure the settings.



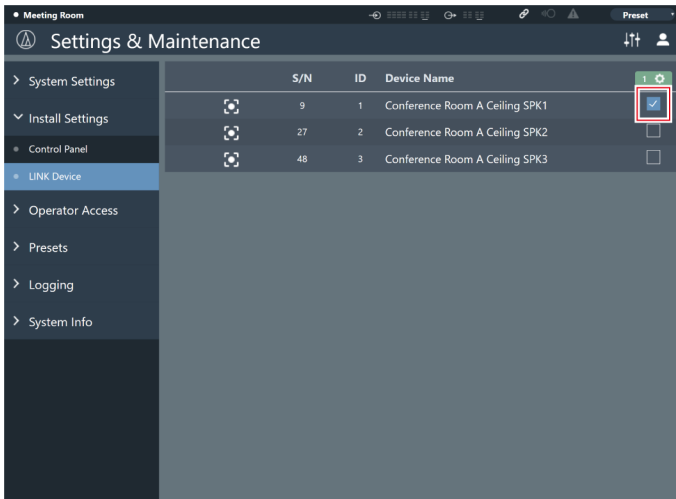
Item name	Description
MOPI Audio	“MOPI” is an acronym for “Mixer Out Peripheral In.” The signals sent to the ATSP-30LK can be selected from the mixer Output Channel.
Audio Settings	You can adjust the sound for each main speaker and extension speaker while checking the output sound.
Power Restriction	You can set a limit to lower the wattage when the power supply voltage may be insufficient.
LED Settings	You can configure the LED settings.

• “MOPI Audio 2,” “Audio Settings,” and “Power Restriction” are applied in real time; “LED Settings” are applied when “Apply” is clicked.

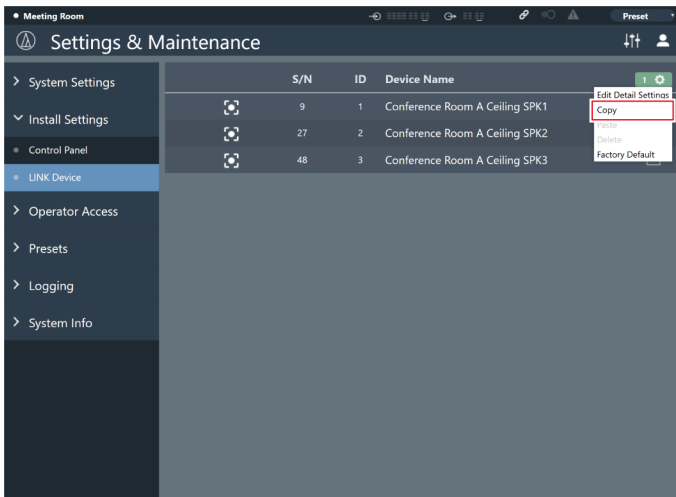
Copying settings

When you want to use the same settings for another speaker, you can copy the setting contents.

- 1 Click the check box on the right side of the speaker that you want to copy.



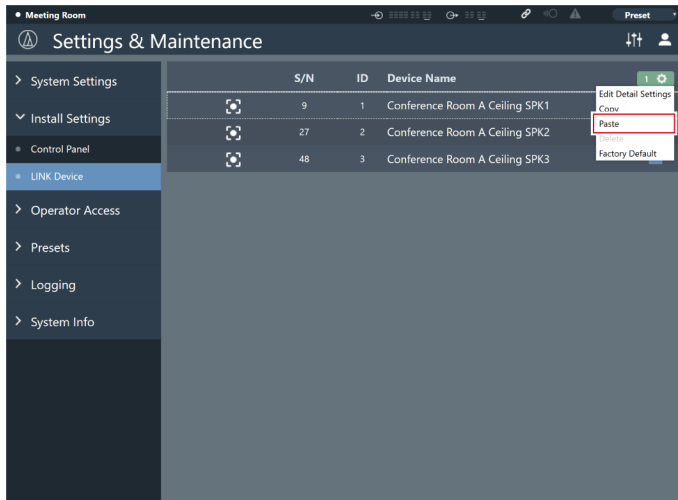
- 2 Click the gear icon at the top right of the screen and select "Copy."



- 3 Select the copy destination speaker, click the gear icon, and select "Paste."

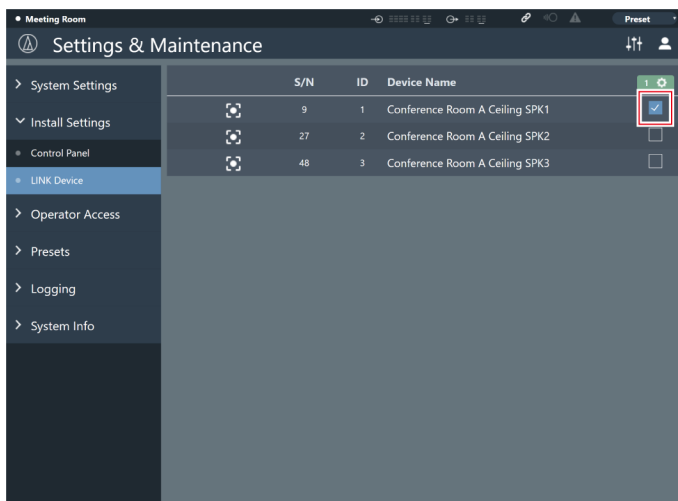
- It is possible to select multiple units when pasting.

ATDM series mixer settings



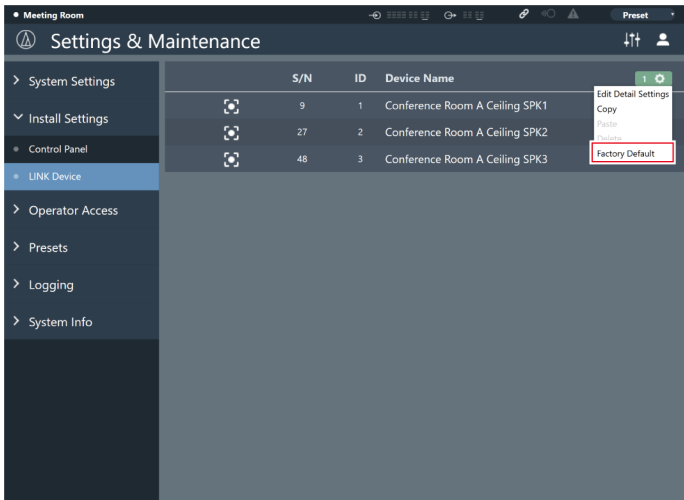
Restoring factory default settings

- 1 Click the check box on the right side of the speaker that you want to reset.



- 2 Click the gear icon at the top right of the screen and select "Factory Default."
 - It is possible to select multiple units when resetting.

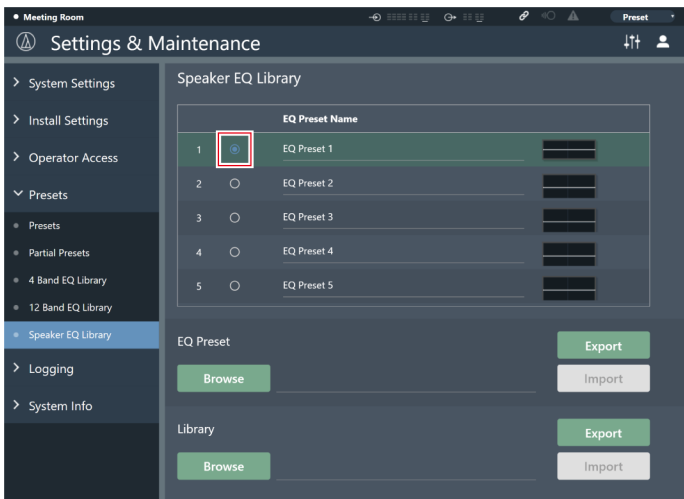
ATDM series mixer settings



EQ equalizer (preset)

It is possible to import and export the speaker EQ as a preset.

- 1 Click "Speaker EQ Library" under "Presets" and click the radio button of the preset number that you want to import or export.



- 2 To export, click "Export" in the "EQ Preset" or "Library" item.
 - To import, click "Browse" in the "EQ Preset" or "Library" item, select the external file, and then click "Import."

Adjusting the speakers

You can easily adjust all connected speakers from the speaker device list.

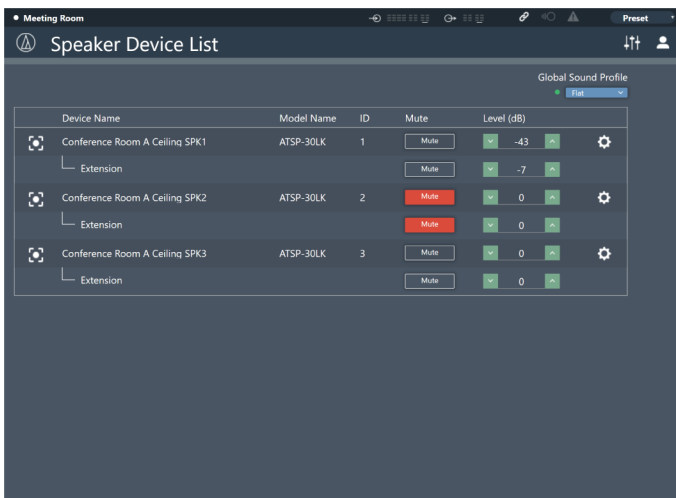
ATDM series mixer settings

1 Click the speaker icon at the top right of the administrator screen.



» The “Speaker Device List” appears.

2 The device name, mute, and level can be adjusted from the list.



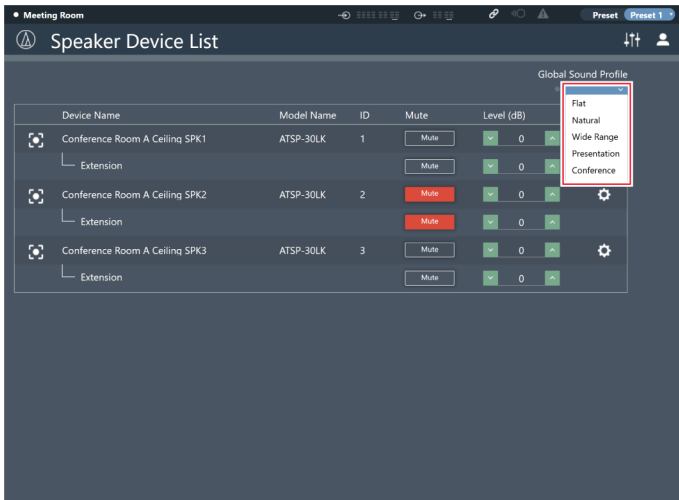
Setting a sound profile for all speakers

The sound profile can be changed for all speakers from the speaker device list.

1 Click the drop-down menu located below “Global Sound Profile” and select the sound profile.

- If the sound profiles of the connected speakers differ, the indicator next to the drop-down menu is off and the menu appears blank. You can still click the menu to select the sound profile.

ATDM series mixer settings



Item name	Description
Flat	Default sound profile
Natural	Optimal sound profile for background music and similar audio
Wide Range	Optimal sound profile for background music and similar audio in an auditorium or other large room
Presentation	Optimal sound profile for presentations and similar audio using the Audio-Technica Engineered Sound Wireless Systems
Conference	Optimal sound profile for situations such as conference speeches using an Audio-Technica conference system

» Changes to the selected sound profile.

Updating the firmware

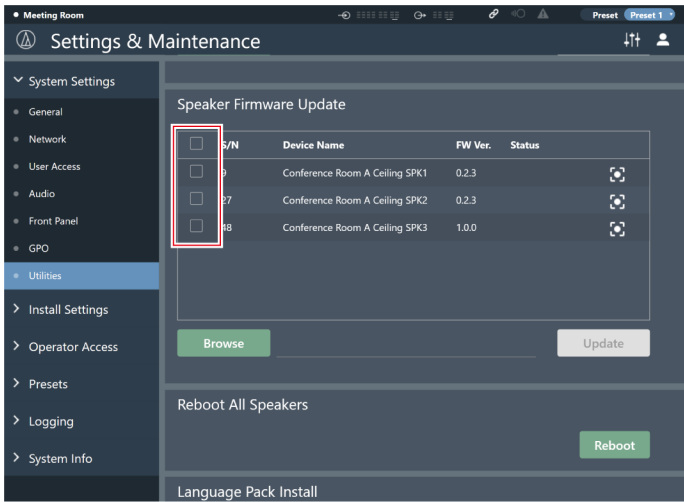
1 Click "Utilities" under "System Settings."

- Check that the connected speakers appear under "Speaker Firmware Update."

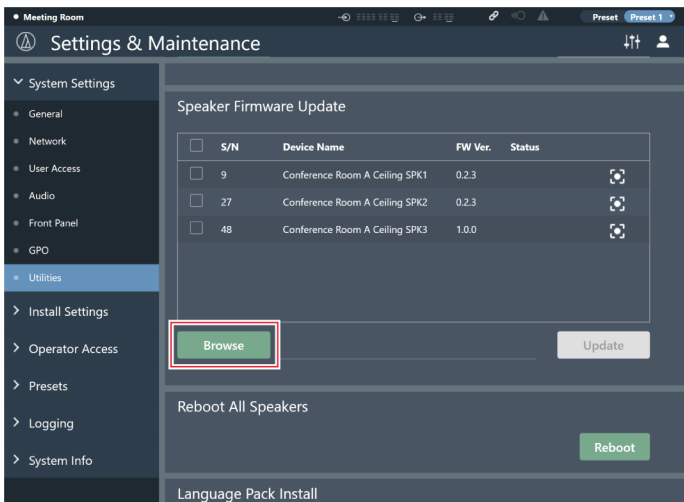
2 Click the check boxes of the speakers that you want to update.

- Clicking the check box at the top selects or deselects all check boxes.

ATDM series mixer settings



3 Click "Browse."



4 Select and open the version upgrade file from the file selection screen.

5 Click "Update."

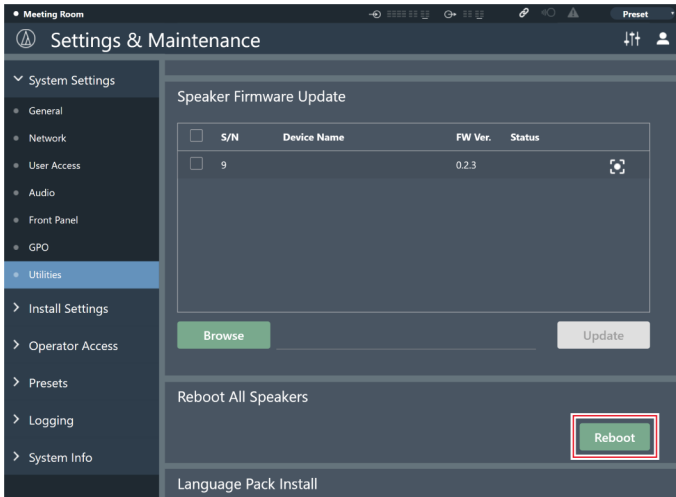
- The update will start. Once the update is complete, a completion screen will appear and the ATSP-30LK will automatically reboot.

6 Check the version.

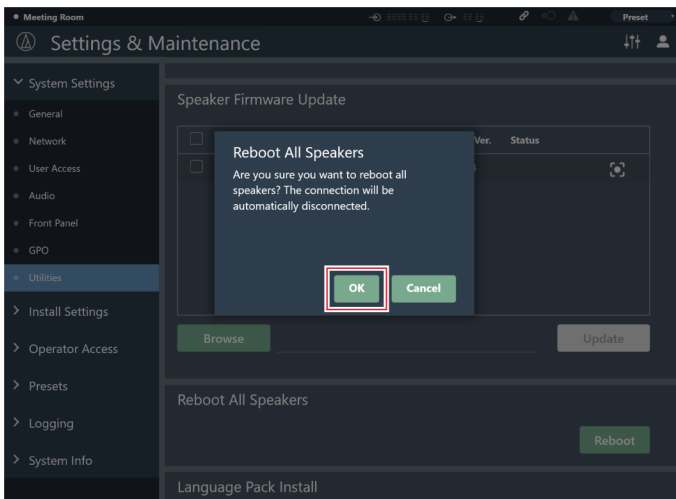
- Check the version in "System Info" to confirm that the firmware was correctly updated.
- If update failed, select and perform update again.

Rebooting all speakers

- 1 Click "Utilities" under "System Settings" and click "Reboot" under "Reboot All Speakers."



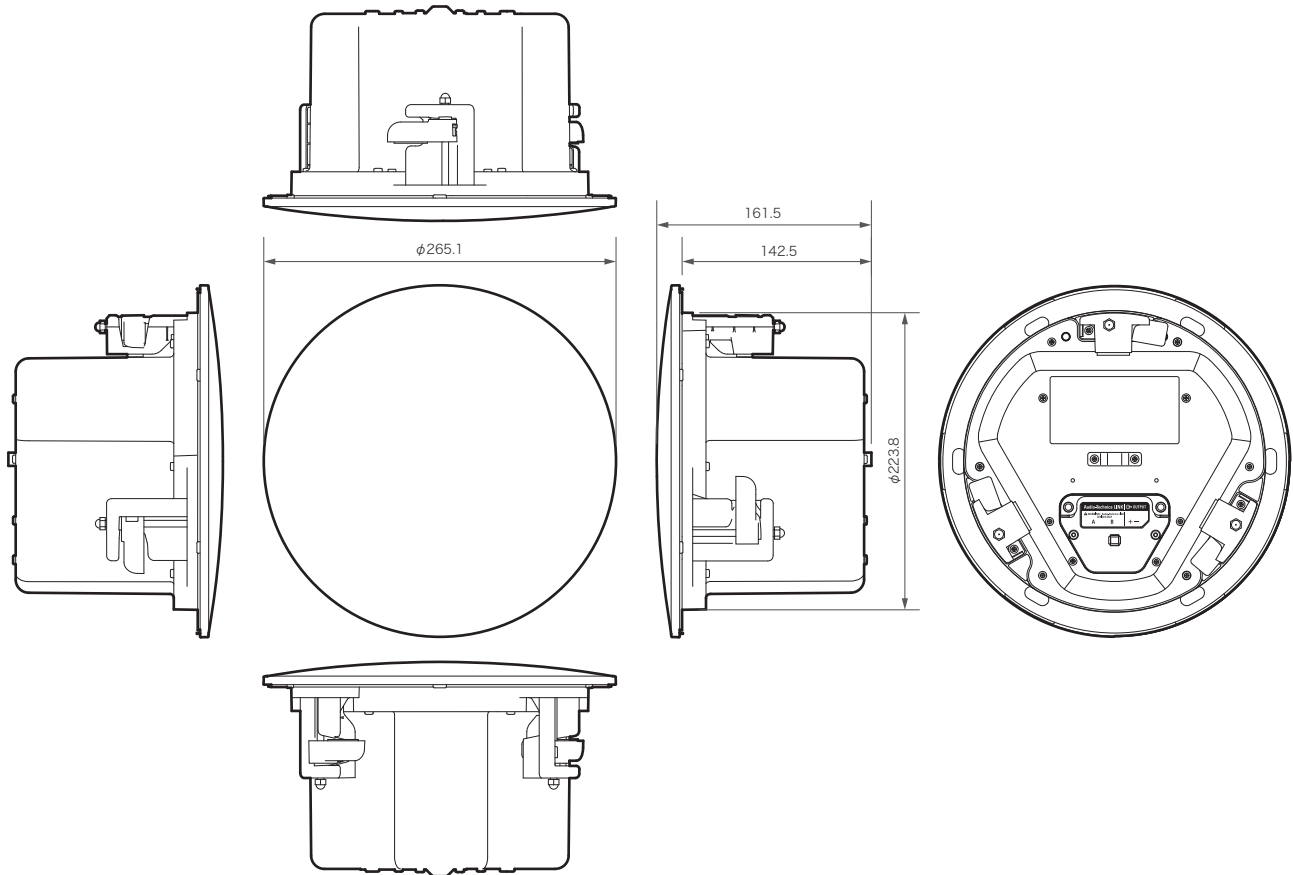
- 2 Click "OK."



» All speakers will reboot.

Dimensions

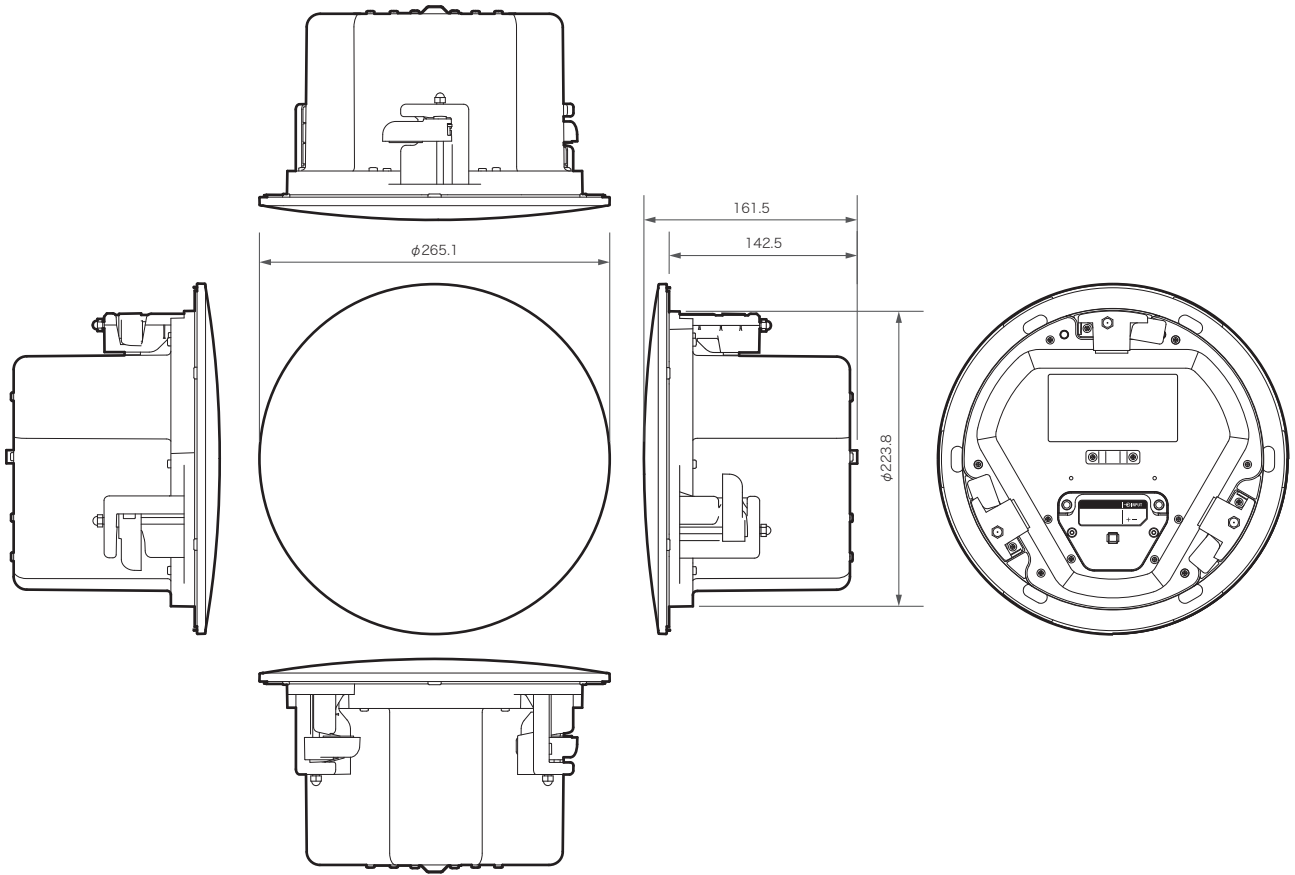
ATSP-30LK



(Units: mm)

Dimensions

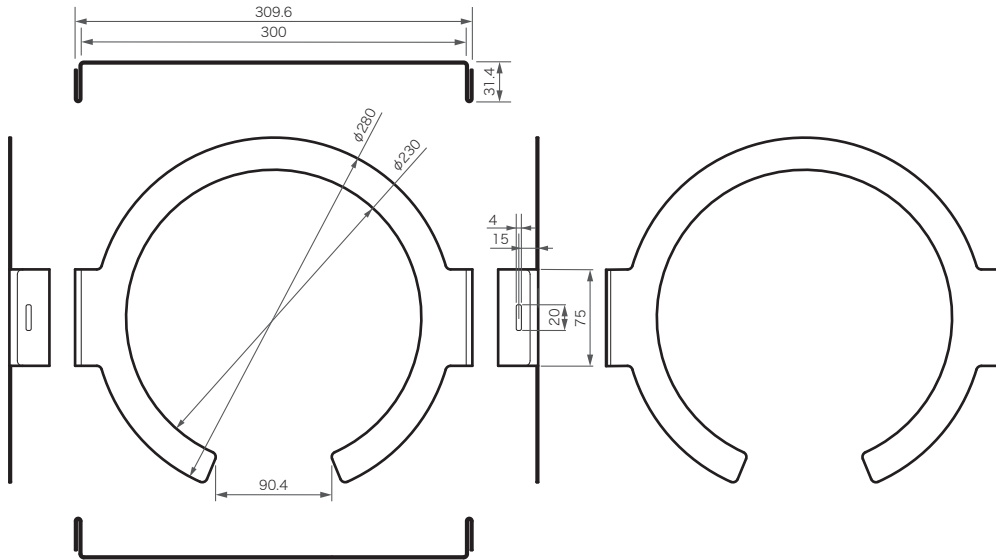
ATSP-30



(Units: mm)

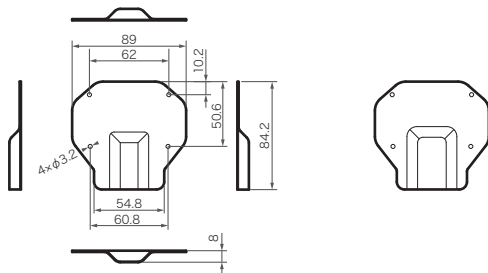
Dimensions

Mount ring



(Units: mm)

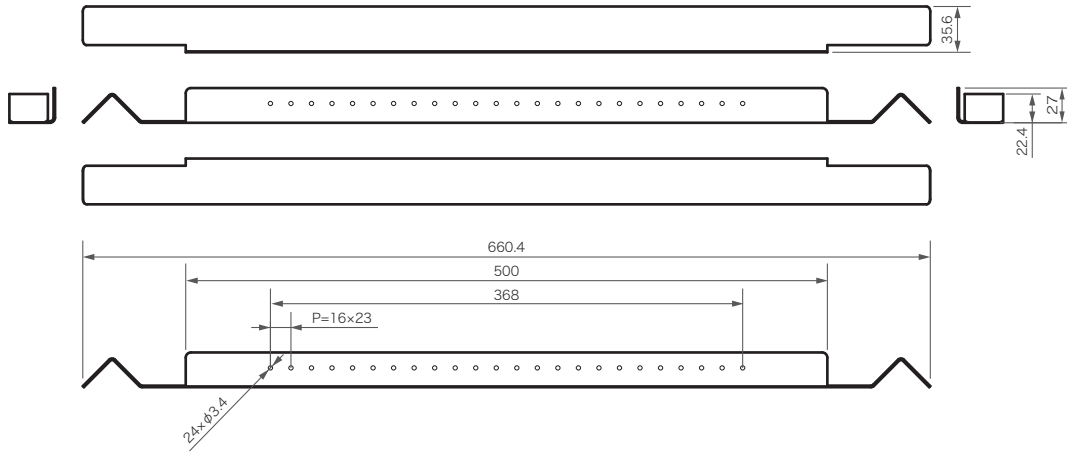
Flush mount cover



(Units: mm)

Dimensions

Tile bridge



(Units: mm)

Specifications

ATSP-30LP (ATSP-30LK, ATSP-30)

ATSP-30LK

I/O connector	Input/output: RJ45 Audio-Technica LINK A port Input/output: RJ45 Audio-Technica LINK B port Output: Euroblock 2pin
Power requirement	Audio-Technica LINK
Speaker unit	2-way coaxial: 4-inch woofer, 0.75-inch tweeter
Weight	2.6 kg (5.7 lbs)
Dimensions	265.1 mm (10") × 161.5 mm (6.4")
Plenum rating	UL 2043
Operation temperature range	0°C to 40°C (32°F to 104°F)
Storage temperature range	-20°C to 60°C (-4°F to 140°F)
Digital signal processing	Equalizer (4-band EQ, sound profile), delay, phase reversal
Nominal sensitivity (dB SPL)	84 dB SPL at 1 m (3.3')/1 W
Maximum output level (dB SPL)	95 dB SPL at 1 m (3.3')
Maximum output (W)	12 W (ATSP-30LK) + 12 W (ATSP-30)
Maximum power consumption (W)	30 W
Frequency response (-10 dB)	50 Hz to 20 kHz
Coverage angle	140°
Cutout size	228 mm (9.0")
Included accessories	Mount ring ×2, flush mount cover ×2, tile bridge ×4, seismic cable ×2, Euroblock connector ×2, installation template ×2, screw (M3 × 8 mm (0.31")) ×8, screw (M4 × 8 mm (0.31"))×4, Quick Start Guide

- For product improvement, the product is subject to modification without notice.

Specifications

ATSP-30

I/O connector	Input: Euroblock 2pin
Speaker unit	2-way coaxial: 4-inch woofer, 0.75-inch tweeter
Weight	2.4 kg (5.3 lbs)
Dimensions	265.1 mm (10") × 161.5 mm (6.4")
Plenum rating	UL 2043
Operation temperature range	0°C to 40°C (32°F to 104°F)
Storage temperature range	-20°C to 60°C (-4°F to 140°F)
Nominal sensitivity (dB SPL)	84 dB SPL at 1 m (3.3')/1 W
Maximum output level (dB SPL)	95 dB SPL at 1 m (3.3')
Frequency response (-10 dB)	50 Hz to 20 kHz
Coverage angle	140°
Cutout size	228 mm (9.0")

- For product improvement, the product is subject to modification without notice.

Specifications

ATSP-30LK

I/O connector	Input/output: RJ45 Audio-Technica LINK A port Input/output: RJ45 Audio-Technica LINK B port Output: Euroblock 2pin
Power requirement	Audio-Technica LINK
Speaker unit	2-way coaxial: 4-inch woofer, 0.75-inch tweeter
Weight	2.6 kg (5.7 lbs)
Dimensions	265.1 mm (10") × 161.5 mm (6.4")
Plenum rating	UL 2043
Operation temperature range	0°C to 40°C (32°F to 104°F)
Storage temperature range	-20°C to 60°C (-4°F to 140°F)
Digital signal processing	Equalizer (4-band EQ, sound profile), delay, phase reversal
Nominal sensitivity (dB SPL)	84 dB SPL at 1 m (3.3')/1 W
Maximum output level (dB SPL)	95 dB SPL at 1 m (3.3')
Maximum output (W)	12 W (ATSP-30LK) + 12 W (ATSP-30)
Maximum power consumption (W)	30 W
Frequency response (-10 dB)	50 Hz to 20 kHz
Coverage angle	140°
Cutout size	228 mm (9.0")
Included accessories	Mount ring, flush mount cover, tile bridge ×2, seismic cable, Euroblock connector, installation template, screw (M3 × 8 mm (0.31")) ×4, screw (M4 × 8 mm (0.31")) ×2, Quick Start Guide

- For product improvement, the product is subject to modification without notice.

ATLK-EXT30

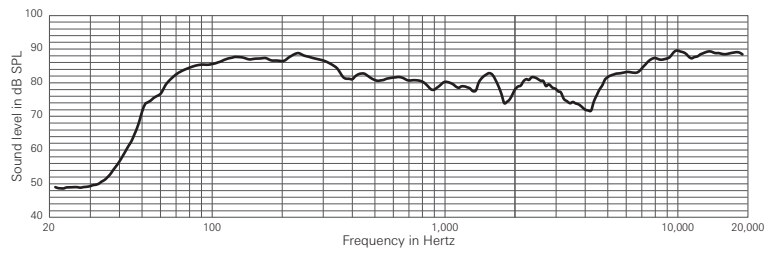
I/O connector	Audio-Technica LINK input port: DATA Audio-Technica LINK output port: DATA + POWER SUPPLY
Power requirement	100 V to 240 V AC, 50/60 Hz
Power consumption	0.5 to 36 W (maximum)
Guaranteed operation temperature	0°C to 40°C (32°F to 104°F)
Guaranteed operation humidity	25 to 85%
Dimensions (W × D × H)	55.0 mm (2.2") × 36.5 mm (1.4") × 173.5 mm (6.8") (including projections)
Weight	180 g (6.3 oz)
Included accessories	AC cable ^[1] , AC plug adapter ^[1] , Quick Start Guide

[1] Japan only

Specifications

- For product improvement, the product is subject to modification without notice.

Frequency response



Measured on the axis with 1m/1W as the reference distance. Shown as a half-space (2π) environment.

株式会社オーディオテクニカ

〒194-8666 東京都町田市西成瀬2-46-1
www.audio-technica.co.jp

Audio-Technica Corporation

2-46-1 Nishi-naruse, Machida, Tokyo 194-8666, Japan
www.audio-technica.com
©2025 Audio-Technica Corporation
Global Support Contact: www.at-globalsupport.com